

# TOYOTA MR2 2000-02

## TOYOTA MR2 2000-02

### SECTION INDEX

A/C /HEATER/VENTILATION.....	1231
A/C REFRIGERANT CAPACITIES .....	1230
ABS/BRAKES.....	1232
AIR BAG SYSTEM.....	1232
AIR CLEANER .....	1238
CENTER CONSOLE.....	1235
CLEAR COAT IDENTIFICATION .....	1229
CONVERTIBLE TOP.....	1236
COOLING.....	1230
COWL & DASH.....	1234
ELECTRICAL.....	1239
EMISSION SYSTEM.....	1238
ENGINE.....	1238
ENGINE LID.....	1237
ENGINE/TRANS MOUNTS.....	1238
EXHAUST .....	1238
FRONT BUMPER.....	1230
FRONT DOOR.....	1235
FRONT FENDER.....	1231
FRONT INNER STRUCTURE.....	1231
FRONT LAMPS.....	1230
FRONT SEAT.....	1235
FRONT STEERING LINKAGE/GEAR.....	1233
FRONT SUSPENSION.....	1232
FUEL TANK.....	1233
HARD TOP.....	1236
HOOD.....	1230
INFORMATION LABELS.....	1229
INSTRUMENT PANEL.....	1234
PAINT CODE LOCATION.....	1229
QUARTER PANEL.....	1237
REAR BODY.....	1239
REAR BUMPER.....	1240
REAR DRIVE AXLE.....	1238
REAR LAMPS.....	1240
REAR SUSPENSION.....	1237
ROCKER/PILLARS/FLOOR.....	1235
SEAT BELTS.....	1235
SPECIAL CAUTIONS.....	1229
STEERING PUMP.....	1233
STEERING WHEEL/COLUMN.....	1233
UNDERHOOD DIMENSIONS.....	1231
WHEEL.....	1232
WINDSHIELD.....	1234

### SPECIAL CAUTIONS

#### AIR BAG

Refer to Procedure Explanation 29 for Supplemental Restraint/Air Bag Special Cautions.

#### ELECTRICAL

Manufacturer advises that battery leads should not be disconnected while the engine is running. Negative (-) terminal should be disconnected and isolated prior to any electrical repair or charging of battery.

#### SUSPENSION

Manufacturer advises that some new fasteners must be used whenever old fasteners are loosened or removed.

#### WELDING

Before initiating any repair involving the use of an electric welder, the ignition must be in the off position and the negative (-) battery terminal disconnected.

### PAINT CODE LOCATION

Paint code located on inside of driver's door.

### CLEAR COAT IDENTIFICATION

All colors are clear coat. Code 051 is three stage.

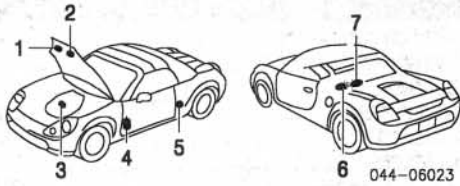
### INFORMATION LABELS

*Illustration Located in Next Column*

1 Label, Power Steering Fluid 44391-17020 4.03

# TOYOTA MR2 2000-02

## INFORMATION LABELS Cont'd



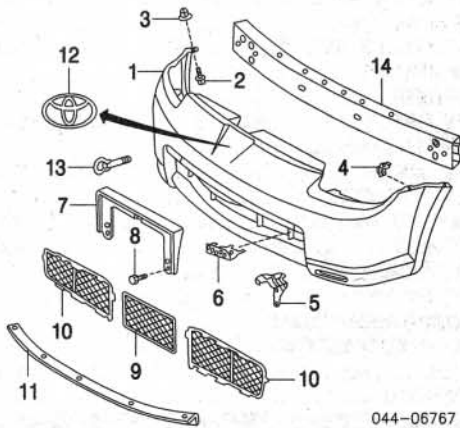
2 Label, A/C Information	88723-17050	4.91
3 Label, Spare Tire	42668-12010	1.60
4 Label, Fuse Block	82683-17030	3.20
5 Cover, Film	74571-32010	1.51
6 Label, Air Bag Caution	74599-06010	1.37
7 Label, Tire Pressure	42661-17260	1.83
Label, Vehicle Emissions	00 11298-22100	1.54
	01 11298-22101	1.54
	02 11298-22102	1.54
Label, Vacuum Hose	00-01 17792-22040	.80
	02 17792-22041	.80
Label, Spark Plug Caution	11289-50010	1.83
Label, A/C Caution	88723-0A050	.89
Label, Throttle Link	31191-17010	3.12
Label, Theft Warning	74515-17010	1.17
Label, Removeable Roof	63299-17080	1.31

## FRONT BUMPER

Use Procedure Explanations 1 and 28 with the following text.

Refinish Front Cover	2.2
R&I Cover Assy	.8
O/H Bumper Assy (Includes R&I)	1.8

NOTE: All Parts in this section are included in overhaul unless noted otherwise.



1 Cover, Front (P)	52119-17911	1.5	163.99
(P) Paint to Match			
2 Bolt, Cover	R/L 90159-60431	.63	
3 Grommet, Bolt	R/L 90189-06210	.60	
4 Support, Side	R/L 52115-17020	4.80	
5 Bracket, Side	R 52143-17020	11.03	
	L 52144-17010	11.03	
6 Cover, Hole	L 52127-17010	4.60	
7 Bracket, License	52121-17070	.2	24.55
8 Screw, License Bracket (3)	90159-60444	.57	
9 Grille, Center	53111-17010	.2	13.91
10 Grille, Side	R 53112-17020	.2	31.50
	L 53113-17010	.2	31.50
11 Spoiler	78851-17070	.5	39.44
12 Emblem (Adhesive)	75441-16280	.2	19.01
13 Hook, Tow	51093-17021	.2	24.58
14 Reinforcement, Bumper	52021-17050	IOH	125.66

## FRONT LAMPS

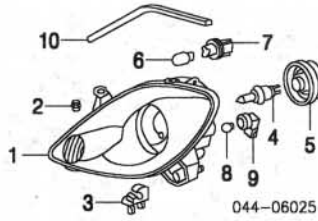
### COMBINATION LAMP

Aim Lamps	4
R&I Combination Lamp Assy	R/L #1.3
#Includes R&I Front Bumper Assy & R&R Compartment Cover, R&I Both Sides 1.5	

NOTE: R&R Does Not include aim lamps.

Illustration Located in Next Column

1 Lens & Housing, Lamp	R 81130-17170	#1.3	172.54
	L 81170-17170	#1.3	172.54
#Includes R&I Front Bumper Assy & R&R Compartment Cover, R&R Both Sides 1.5			

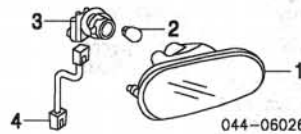


2 Bushing, Housing (2/Side)	R/L 90189-06210	.60
3 Bracket, Mounting	R/L 53271-12060	8.46
4 Bulb, Headlamp	R/L 90981-13055	#2 35.67
5 Cover, Bulb	R/L 90075-65002	7.06
6 Bulb, Turn Signal	R/L 90981-13043	#2 3.80
7 Socket, Turn Signal	R/L 90075-99080	6.94
8 Bulb, Clearance	R/L 00234-00192	#2 1.00
9 Socket, Clearance	R/L 90075-60005	7.06
10 Seal, Housing	R/L 53182-17030	8.63

## SIDE MARKER LAMP

R&I Side Marker Lamp R/L #2

#Included in R&R or O/H Front Cover Assy

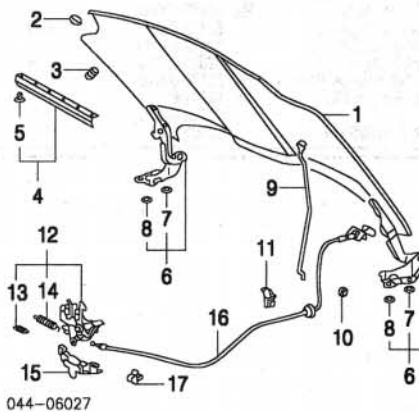


1 Lens & Housing, Lamp	R 81731-14170	#2 17.84
	L 81741-14160	#2 17.84
2 Bulb, Side Marker	R/L 00234-00194	#2 .54
#R&R One Side Complete, Included in R&R or O/H Front Cover Assy		
3 Socket, Bulb	R/L 90075-99012	9.75
4 Wire, Socket	R/L 81735-17070	11.17

## HOOD

Use Procedure Explanations 4 and 28 with the following text.

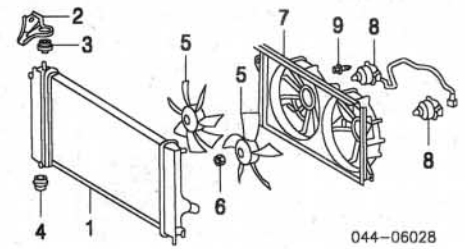
Refinish Hood Outside	2.2
Add for Underside	1.3
Refinish Hinge	R/L .2
R&I Hood Assy	.4



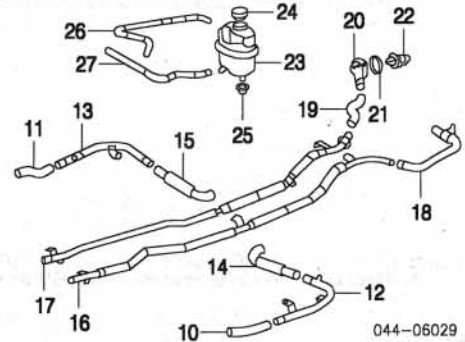
1 Panel, Hood	53301-17040	1.0	234.29
2 Plug, Hood	R/L 90950-01444	1.31	
3 Bumper, Hood (2/Side)	R/L 90541-15018	.1	3.97
4 Seal Assy, Hood	53381-17020	.1	13.26
5 Clip, Seal (6)	90467-08011-83	.33	
#Included w/Hood Seal Assy			
6 Hinge Assy, Hood	R 53410-17050	#2 22.58	
	L 53420-17050	#2 22.58	
#w/Hood Removed			
7 Pad, Hinge (1)	R/L 53497-12050	.97	
8 Pad, Hinge (1)	R/L 53497-12070	.97	
#Included w/Hood Hinge Assy			
9 Rod, Hood Support	53440-17030	.2	9.43
10 Grommet, Hood Rod	90480-15024	1.89	
11 Clip, Rod Hold-Down	53455-20040	1.26	
12 Latch Assy, Hood	53510-17100	.3	38.61
13 Spring, Large Latch (1)	90506-18080	2.69	
14 Spring, Small Latch (1)	90084-50002	1.20	
#Included w/Hood Latch Assy			
15 Cover, Latch	53525-32040	10.80	
16 Cable, Hood Release	53601-17020	1.0	19.35
17 Retainer, Cable	90959-01369	1.67	

## COOLING

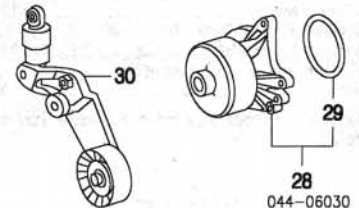
Use Procedure Explanations 5 and 28 with the following text.



1 Radiator	16400-22110	2.0	428.98
2 Support, Radiator	R 16533-22020	23.78	
	L 16534-22010	13.60	
3 Cushion, Upper	R/L 16523-74010	5.92	
4 Cushion, Lower	R/L 90916-04004	8.55	
5 Fan, Cooling	R 16361-22060	#.8	47.56
	L 16361-22050	#.8	42.33
6 Nut, Fan	R/L 90099-05164	8.16	
7 Shroud, Fan	16711-22060	#.8	95.28
8 Motor, Fan	R 16363-22060	#.8	151.91
	L 16363-22050	#.8	159.63
#R&R Complete, Deduct .5 w/Radiator Removed			
9 Bolt, Fan Motor (3/Side)	R/L 90099-04117	.33	



10 Hose, Radiator Inlet	16571-22040	#1.2	11.77
11 Hose, Radiator Outlet	16572-22040	#1.2	11.77
12 Pipe, Inlet Elbow	16579-22010	#1.2	50.47
13 Pipe, Outlet Elbow	16559-22010	#1.2	56.91
14 Hose, Inlet Elbow	16573-22010	#1.2	13.41
15 Hose, Outlet Elbow	16574-22010	#1.2	13.41
#For Each Additional Inlet Hose/Pipe Add .5, For Each Additional Outlet Hose/Pipe Add .5			
16 Pipe, Radiator Inlet	16577-22010	132.50	
17 Pipe, Radiator Outlet	16578-22020	132.84	
18 Hose, Engine Outlet	16576-22010	1.2	14.35
19 Hose, Engine Inlet	16575-22010	1.3	12.67
20 Housing, Thermostat	2000		
	To 4-00	16321-22050	#2.4 32.50
	From 4-00	16321-22070	#2.4 12.98
	2001-02	16321-22070	#2.4 12.98
21 Gasket, Thermostat	16325-62010	#2.4	4.57
22 Thermostat	2000		
	To 7-00	90916-03084	#2.4 12.86
	From 7-00	90916-03125	#2.4 12.80
	2001-02	90916-03125	#2.4 12.80
#R&R Complete			
23 Tank, Reservoir	16480-22050	.5	164.36
24 Cap, Tank	16401-53010	19.56	
25 Grommet, Tank	90480-18010	2.29	
26 Hose, Upper Tank	16261-22070	#.9	14.08
27 Hose, Lower Tank	16264-22080	#.9	11.03
#R&R Complete			



28 Pump Assy, Water	16100-29095	m 2.0	63.37
29 Gasket, Pump (1)	90301-69006	m	3.46
#Included w/Water Pump Assy			
30 Tensioner, Belt	16620-22011	m .8	191.20

## A/C REFRIGERANT CAPACITIES

A/C R-134a Refrigerant Capacity



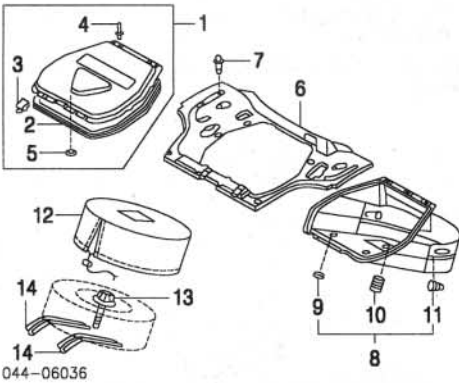
# TOYOTA MR2 2000-02

## FRONT INNER STRUCTURE Cont'd

### SHEET METAL Cont'd

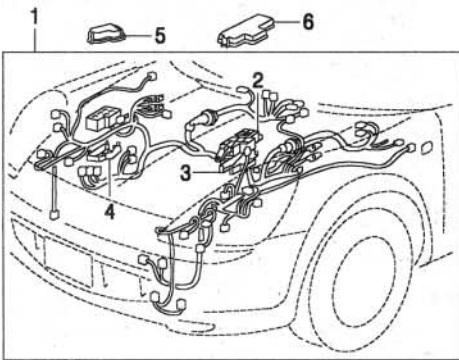
26 Box, Torque	R 57197-17020 L 57198-17020	76.05 76.05
----------------	--------------------------------	----------------

### INTERIOR TRIM



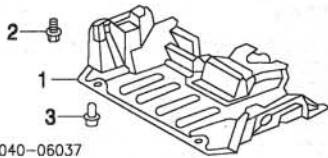
1 Cover Assy, Box	2000		
To 1-00	75205-17010	131.24	
From 1-00	75205-17011	131.24	
2001-02	75205-17011	131.24	
2 Weatherstrip, Cover	75232-17010	8.63	
3 Lock, Cover	64606-17031	21.95	
4 Rivet	90269-04054	.46	
5 Pad, Cover	90183-06022	.60	
*Included w/Box Cover Assy			
6 Cover, Compartment	64427-17021	.3	241.67
7 Clip, Cover (9/Side)	R/L 90467-07076	d.63	
8 Box Assy	75201-17011	311.38	
9 Spacer, Bolt	90202-10019	.57	
10 Cushion, Box	75227-17010	2.92	
11 Plug, Drain	90950-01250	0.00	
*Included w/Box Assy			
12 Cover, Spare Tire	64771-17020	37.24	
13 Retainer, Spare	51931-17010	8.57	
14 Support, Spare	R/L 51936-17010	18.29	

## ELECTRICAL COMPONENTS



1 Harness Assy, Front Main	99-00 82181-17640	m	913.29
	01-02 82181-17650	m	913.29
2 Box, Fuse	82660-17140	m	80.14
3 Cover, Lower Fuse Box	82663-17030		20.66
4 Cover, Lower Box	82663-06010		8.74
*Included w/Front Main Harness Assy			
5 Cover, Upper Box	82662-17030	.1	11.52
6 Cover, Upper Fuse Box	82662-17020	.1	15.92

## PROTECTIVE COVERS



1 Shield, Protective	57381-17020	.3	103.49
2 Bolt, Shield (4/Side)	R/L 90159-60395	.63	
3 Clip, Shield	90467-07166	.83	

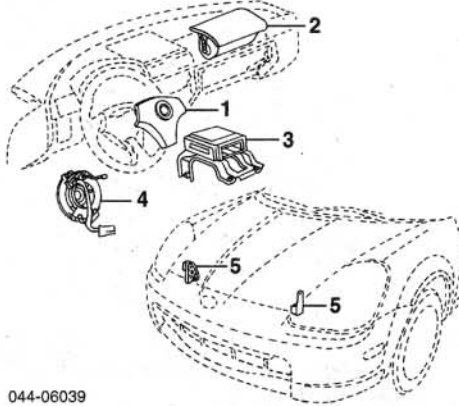
## AIR BAG SYSTEM

Disable & Enable Air Bag System	m	.3
Diagnose Air Bag System (If Required)	m	#.5
*Includes Disconnect & Connect Scan Tool & Retrieve/Clear Trouble Codes		

NOTE 1: R&R Does Not include disable and enable or diagnose Air Bag System.

NOTE 2: Refer to Procedural Explanation 30 for Supplemental Restraint/Air Bag System Component Inspection and Replacement Information.

NOTE 3: For Air Bag System Service procedures, refer to Manufacturer's Service Repair Manual or Mitchell's Air Bag Service and Repair Manual.



044-06039

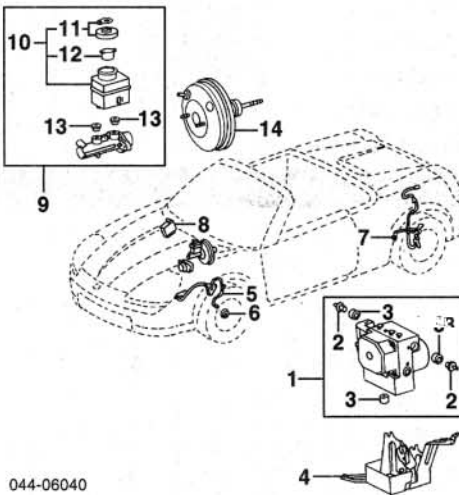
1 Module, Driver Air Bag	45130-02130-C0	m	.3	572.28
2 Module, Passenger Air Bag	73970-17041-C0	m	.8	661.39
3 Control Unit	89170-17050	m	.6	508.16
4 Spiral, Cable				
w/Sequential Shift Trans	84306-32030	m	.7	218.32
w/o Sequential Shift Trans	84306-52020	m	.7	218.32
5 Sensor, Air Bag	R 89173-19215 L 89174-19025	m	#.6	54.79
		m	#.6	54.79

#R&R Both .8

## ABS/BRAKES

Bleed System	m	.3
--------------	---	----

NOTE: R&R Does Not include bleed brake system.



044-06040

1 Actuator Assy, ABS	44050-17030	m	2.4	993.04
2 Holder, Actuator	44545-42020			3.92
3 Insulator, Holder	44546-42020			3.06
*Included w/ABS Actuator Assy				
4 Bracket, Actuator	44590-17050			42.30
5 Wire, Front Sensor	R 89516-17010	m		26.86
	L 89516-17030	m		26.86
6 Sensor, Front ABS	R/L 89544-52010	m	#2.2	121.47
#R&R Both Sides 3.6				
7 Sensor, Rear ABS	R 89545-17030	m	#.8	176.34
	L 89546-17030	m	#.8	176.34
#R&R Both Sides 1.2				
8 Computer, ABS	89540-17160	m	.8	226.43
9 Cylinder Assy, Brake Master	47201-17291	m	1.4	196.40
10 Reservoir Assy	47220-17080	m		87.37
11 Cap, Reservoir (a)	47230-20140			9.43
12 Filter, Reservoir (a)	47299-20060			1.91
(a) Included w/Reservoir Assy				
13 Grommet, Reservoir	31417-35010			1.91
*Included w/Brake Master Cylinder Assy				
14 Booster, Brake	44610-17351	m	#2.2	497.09

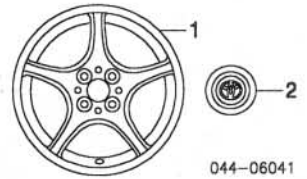
#Includes R&R Brake Master Cylinder

## WHEEL

Use Procedure Explanation 10 with the following text.

### ALLOY WHEEL

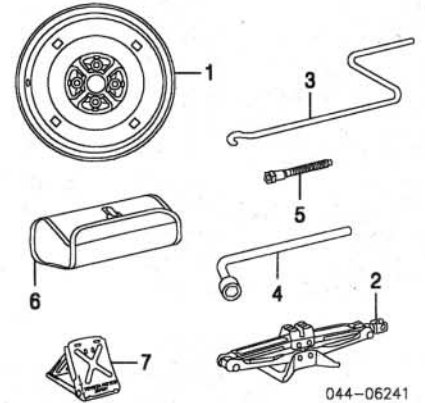
Add to R&I Spare Wheel & Tire Assy		2
------------------------------------	--	---



044-06041

1 Wheel, Alloy			
Front	42611-17320	.3	340.89
Rear	42611-17330	.3	352.75
2 Cap, Center	42603-20640		12.35
Nut, Lug			
Front	90942-01033		5.43
Rear	90942-01083		4.14
Stem, Valve	90942-05009		7.72

### SPARE WHEEL & HARDWARE



044-06241

1 Wheel, Spare	42611-1A240		84.46
2 Jack	09111-17050		86.51
3 Handle, Jack	09113-52010		10.03
4 Wrench, Lug	09150-26010		20.55
5 Bolt, Spare Carrier	51934-17010		1.86
6 Bag, Tool	09120-17030		24.06
7 Stopper, Wheel	09184-00010		17.86

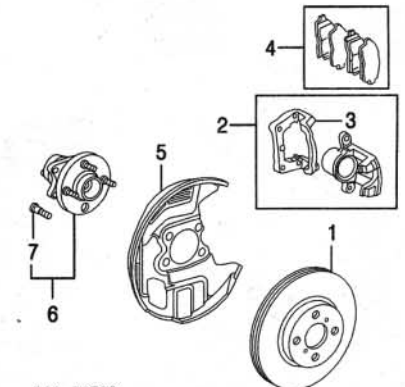
## FRONT SUSPENSION

Use Procedure Explanation 11 with the following text.

R&I Suspension (One Side)	R/Lm	1.8
O/H Suspension (Includes R&I)		
One Side	R/Lm	3.2
Both Sides	m	6.2
Adjust Four Wheel Alignment	m	1.4
*Bleed Brake System	m	.3

NOTE 1: R&I/R&R or O/H Does Not include alignment or bleed brake system.

NOTE 2: All Parts in this section are included in overhaul unless noted otherwise.



044-06768

1 Rotor, Brake	R/L 43512-17130	m	#.6	91.30
----------------	-----------------	---	-----	-------

<b>#R&amp;R Both Sides 1.0</b>			
2 Caliper Assy	R 47730-17150	m #.5	279.77
	L 47750-17150	m #.5	279.77
3 Bracket, Mounting	R 47721-52020	m #.5	79.82
	L 47722-52020	m #.5	79.82

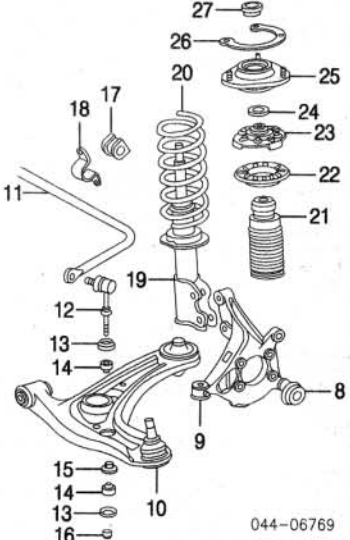
*†*Included w/Caliper Assy  
**#R&R One Side Complete, R&R Both Sides .8, w/Rotor Removed Deduct .3**

4 Pad Set, Brake	04465-17101	m #1.0	55.44
<b>#Deduct .5 for each Caliper Removed</b>			
5 Plate, Backing	R 47781-17050	m #.2	20.61
	L 47782-17050	m #.2	20.61

**#w/Hub Removed**

6 Hub Assy	R/L 43550-17010	m #1.0	209.76
<b>#Includes R&amp;R Rotor, R&amp;R Both Sides 1.8</b>			
7 Stud, Wheel	R/L 90942-02049	m	2.94

*†*Included w/Hub Assy



044-06769

8 Sensor, Front ABS-See ABS/Brakes Section			
9 Knuckle, Front	R 43211-17110	m #1.6	163.10
	L 43212-17110	m #1.6	163.10

**#Includes R&R Hub & Rotor, R&R Both Sides 3.0**

10 Arm, Lower Control	R 48068-19176	m #1.1	270.93
	L 48069-19156	m #1.1	270.93

**#w/Knuckle Removed Deduct .6, R&R Both Sides 2.0**

11 Bar, Stabilizer	48811-17100	m #.9	95.57
<b>#Includes R&amp;R Stabilizer Links, Brackets &amp; Bushings, Not Included in O/H</b>			

12 Link, Bar	R/L 48820-17050	m #.4	30.61
<b>#Not Included in O/H</b>			

13 Washer, Cushion (2/Side)	R/L 90948-02032		1.66
14 Cushion (2/Side)	R/L 48817-10020		5.63
15 Washer, Cushion	R/L 90948-02178		3.09
16 Nut, Link	R/L 94182-10800		1.40
17 Bushing, Stabilizer Bar	R/L 48815-17130	m #.3	6.12
18 Clamp, Stabilizer Bushing	R/L 48824-12040	m #.3	4.03

**#R&R One Side Complete, Not Included in O/H**

19 Strut, Shock Absorber			
2000	R 48510-80049	m #1.6	148.27
	L 48520-19646	m #1.6	148.27
2001			
To 4-01	R 48510-80049	m #1.6	148.27
	L 48520-19646	m #1.6	148.27
From 4-01	R 48510-80049	m #1.6	148.27
	L 48520-19646	m #1.6	148.27
2002			
	R 48510-80049	m #1.6	148.27
	L 48520-19646	m #1.6	148.27

20 Spring, Coil	R/L 48131-17690	m #1.6	32.83
21 Bumper/Boot	R/L 48304-17010	m #1.6	16.92
22 Insulator, Spring	R/L 48157-17030	m #1.6	7.83
23 Seat, Spring	R/L 48044-17030	m #1.6	11.03
24 Plate, Washer	R/L 90303-22049	m #1.6	3.63
25 Mount, Upper	R/L 48609-17050	m #1.6	70.68
26 Plate, Spacer	R/L 48681-17040	m #1.6	7.72

**#R&R One Side Complete, w/Knuckle Removed Deduct 1.2, R&R Both Side 3.0**

27 Cap, Nut	R/L 48684-12070		8.77
-------------	-----------------	--	------

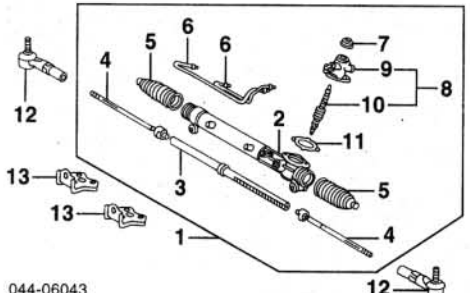
**FRONT STEERING LINKAGE/GEAR**

R&I Steering Gear		m 1.7	
O/H Steering Gear (Includes R&I)		m 3.9	

**NOTE 1:** R&I/R&R or O/H Does Not include adjust wheel alignment.  
**NOTE 2:** All Parts in this section are included in overhaul unless noted otherwise.

Illustration Located in Next Column

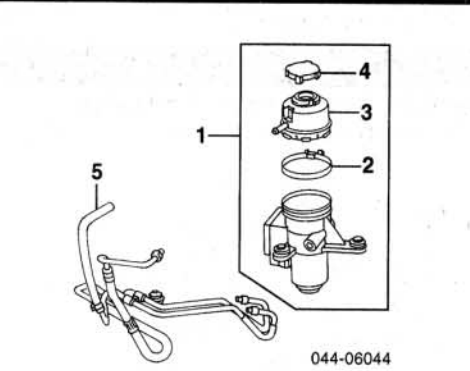
1 Gear Assy, Steering	44250-17081	m #1.9	775.34
<b>#Includes R&amp;R Tie Rod Ends</b>			



044-06043

2 Housing, Gear	44240-17060	m 3.9	350.19
3 Rack, Steering	44204-17060	m 3.9	244.81
4 Rod, Tie	R/L 45503-17040	m #2.3	98.74
<b>#Includes R&amp;I Steering Gear &amp; R&amp;R Boot &amp; Tie Rod End</b>			
5 Boot, End	R/L 45535-52010	m #.6	10.83
<b>#Includes R&amp;R Tie Rod End</b>			
6 Tube, Pressure	R 44418-17040	m	20.01
	L 44419-17040	m	18.49
7 Seal, Dust	45222-33010	m	12.03
8 Valve Assy, Control	44210-17080	m 3.9	817.06
9 Housing, Valve (a)	44022-17040	m	87.37
10 Pinion (a)	44201-17080	m	533.15
<b>(a) Included w/Control Valve Assy</b>			
11 Gasket, Valve	44218-52010	m	4.03
<b>#Included w/Steering Gear Assy</b>			
12 End, Tie Rod	R/L 45046-19206	m .3	37.69
13 Bracket, Mounting	R/L 45518-17010	m	13.78

**STEERING PUMP**



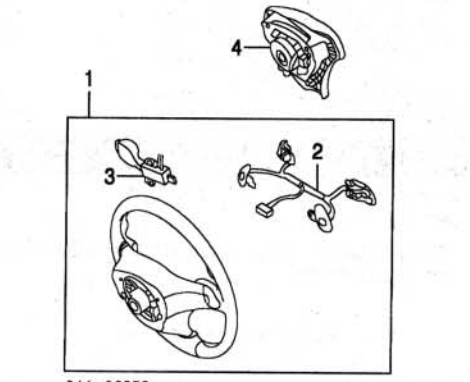
044-06044

1 Pump Assy	44310-17060	m 1.3	692.66
2 Clamp, Reservoir	90460-99007		7.99
3 Reservoir, Fluid	44367-17010	m	41.95
4 Cap, Reservoir	44305-17020		15.83
<b>#Included w/Pump Assy</b>			
5 Pipe & Hose, Fluid	44410-17041	m 1.5	253.96

**STEERING WHEEL/COLUMN**

R&I Steering Column		m 2.0	
O/H Steering Column (Includes R&I)		m 3.8	

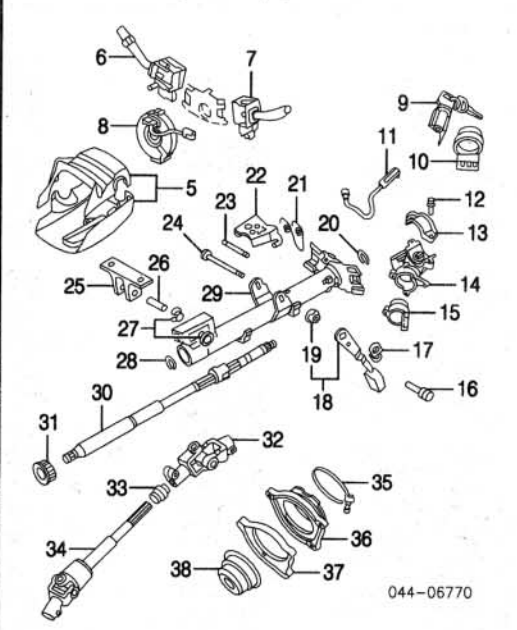
**NOTE:** All Parts in this section are included in overhaul unless noted otherwise.



044-06252

1 Wheel Assy, Steering			
2000	45100-2B690-C0	m .5	591.40
2001-02			
w/Sequential Shift Trans			
w/Shift Switch on Wheel	45100-2B740-C0	m .5	964.05
w/o Shift Switch on Wheel	45100-2B730-C0	m .5	923.55
w/o Sequential Shift Trans	45100-2B690-C0	m .5	591.40
2 Switch, Trans Shift	84610-20020	m	163.10
3 Switch, Cruise Control	84630-20150	m	112.00
<b>#Included w/Steering Wheel Assy</b>			

**4 Module, Driver Air Bag-See Air Bag System Section**



044-06770

5 Cover, Column	45286-17902-C0	m .3	60.25
6 Switch, Wiper	84652-17120	m #.9	116.43
7 Switch, Turn Signal	04420-20370	m #.3	101.28

**#R&R Both 1.3**

**8 Spiral, Cable-See Air Bag System Section**

9 Cyl & Key w/Transmitter	89703-52010	m .6	111.69
10 Amp, Transponder	89783-52020	m	94.34
11 Switch, Warning	84052-32030	m .7	18.09
12 Bolt, Lock Shear (2)	45897-12020	m	2.77
13 Clamp, Lock Housing	45271-16020	m	7.57
14 Housing, Lock	45280-17040	m 2.1	165.33
15 Switch, Ignition	84450-52010	m .6	74.14
16 Bolt, Adjust Lever	45832-12010		2.83
17 Plate, Nut Retaining	45821-52010	m	1.89
18 Lever Assy, Adjusting	45826-20170	m .9	7.66
19 Stopper, Pawl	45893-52010	m	2.74

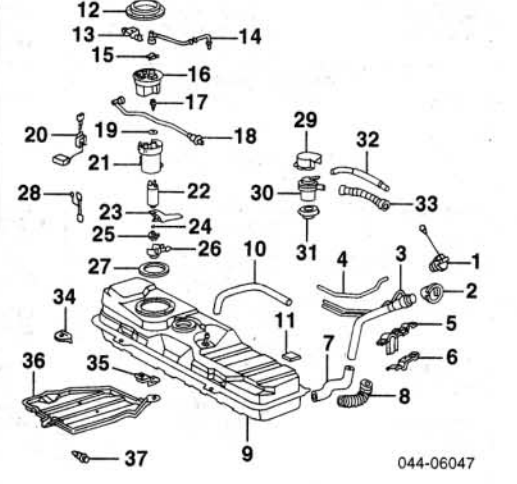
**#Included w/Adjusting Lever Assy**

20 Ring, Upper Retaining	90520-17269	m	1.26
21 Spring, Tension	45261-20010	m	2.09
22 Support, Upper Column	45878-52010	m	11.63
23 Collar, Upper Support	45814-52010	m	1.23
24 Bolt, Adjusting	45831-52010	m	3.46
25 Support, Lower Column	45277-28030	m	7.00
26 Collar, Lower Support	45877-52010	m	3.80
27 Bushing, Lower Support (2)	R 45813-52010	m	.80
	L 45813-52020	m	.80
28 Ring, Lower Retaining	90520-17042	m	.77
29 Housing, Column	45205-20350	m 2.3	63.42
30 Shaft, Upper	45210-20340	m 1.9	297.20
31 Bushing, Shaft	45273-20060	m	11.75
32 Joint, Universal	45209-17020	m	99.37
33 Cover, Dust	45286-30010	m	1.69
34 Shaft, Lower	45280-17150	m 1.3	198.11
35 Clamp, Seal	90460-78006	m	0.00
36 Seal, Dust	45292-17030	m	10.55
37 Plate, Retaining	45253-17010	m	7.72
38 Seal	45026-17010	m	15.55

**FUEL TANK**

R&I Fuel Tank			24
---------------	--	--	----

**NOTE:** R&I/R&R Does Not include drain and refill.

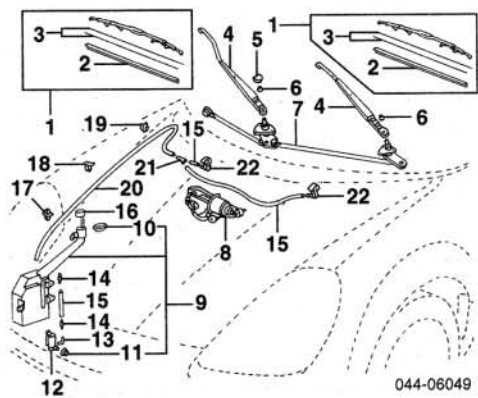


044-06047

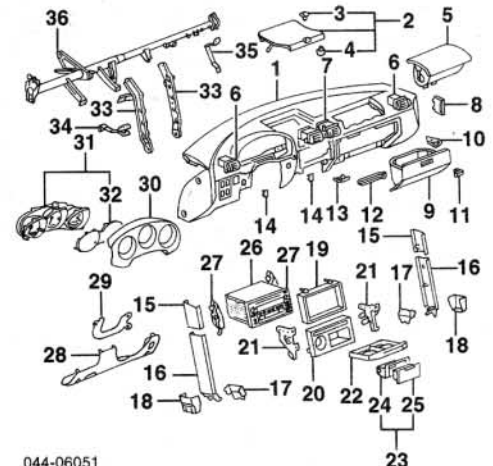
# TOYOTA MR2 2000-02

## FUEL TANK Cont'd

1 Cap, Filler 2000 To 4-00 From 4-00 2001-02	77300-20010 77300-53010 77300-53010 77290-17020	13.12 13.12 13.12 18.26
2 Shield, Filler Pipe	77201-17130	87.08
3 Pipe, Filler	77226-17010	19.03
4 Pipe, Breather	77217-17020	9.77
5 Bracket, Upper Pipe	77218-17010	5.46
6 Bracket, Lower Pipe	77213-17020	28.58
7 Hose, Filler	77219-44010	4.80
8 Cover, Filler Hose	77001-17070	313.23
9 Tank, Fuel #Includes R&R Fuel Pump & Gauge Sender	77259-17030 77651-02040 77168-52010 77643-17010 77209-17010 77241-32060 77024-17020 23280-22010	11.32 4.40 12.12 7.06 16.75 .69 51.10 108.83
10 Hose, Breather	77027-17030	10.57
11 Cushion, Tank	90301-09021	2.33
12 Plate, Retaining	83320-17050	70.36
13 Protector, Mount	23300-23030	26.80
14 Pipe	23221-21020	240.32
15 Clip, Pipe	23217-21030	8.63
16 Plate, Fuel Pump Mount	23219-03010	.67
17 Regulator, Fuel Pressure	23249-74610	9.00
18 Pipe	77175-52020	7.86
19 Seal	77169-02020	5.49
20 Sender, Fuel Gauge	77785-32010	4.00
21 Filter, Fuel Tank	77393-52010	11.69
22 Pump, Fuel	77390-20070	28.92
23 Filter, Fuel Pump	77177-33010	9.17
24 Clip, Filter	77394-17010	12.52
25 Rubber, Cushion	77404-17010	11.92
26 Support, Fuel Pump	R/L 77113-52020	6.17
27 Seal, Plate	R/L 77616-17010	6.37
28 Harness, Fuel Pump	R 77641-17030	100.00
29 Protector, Check Valve	L 77642-17030	100.00
30 Valve, Check		
31 Gasket, Check Valve		
32 Hose, Check Valve		
33 Hose, Vent		
34 Plate, Fuel Tank Side		
35 Bracket, Shield		
36 Shield, Tank		
#R&R Both .5		
37 Clip, Shield (3/Side)	R/L 90467-10018	1.00



9 Reservoir Assy, Washer	85315-17100	48.30
10 Cap, Reservoir	85316-42011	3.92
11 Grommet, Motor	90099-32089	2.37
#Included w/Washer Reservoir Assy		
12 Motor, Pump	85330-33020	42.16
13 Joint, Elbow	85355-16192	2.57
14 Joint, Coupler (2)	85349-89122	1.43
15 Hose	90099-33080	5.89
#Cut To Fit		
16 Filter, Reservoir	85312-17010	7.89
17 Holder, Hose	85371-17020	1.51
18 Holder, Hose (4)	90469-07011	2.04
19 Holder, Hose	85371-02020	28.92
20 Hose	90099-33968	5.26
21 Joint, "Y"	85348-12250	.77
22 Nozzle, Washer	R/L 85381-17040	#.2 14.52
#Included in R&R Hood		

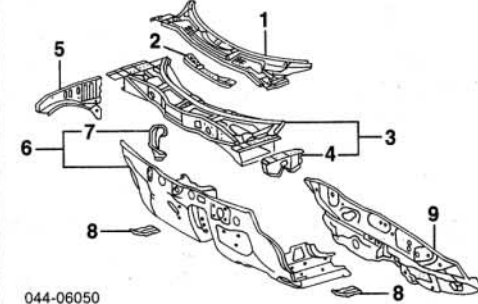


8 Cover, Fuse Box	R 55545-17010-C0	10.40
9 Door, Glove Box	55550-17051-C0	.3 117.35
10 Bracket, Glove Box	58902-17010	7.43
11 Lock, Glove Box	55569-30010-C0	#.2 4.34
#Included in R&R Glove Box Door		
12 Brace, Glove Box	55558-17010	7.72
13 Bracket, Lower	55313-17010	6.37
14 Cover, Hole (2)	55539-32010-C0	3.17
15 Trim, Upper Brace	R 55394-17010	.2 14.15
	L 55395-17010	.2 14.15
16 Trim, Lower Brace	R/L 55346-17010	.2 31.27
17 Cover, Inner Brace	R/L 55398-17010	9.20
18 Cover, Outer Brace	R/L 55349-17020	15.38
19 Finisher, Radio	55423-17040-C0	.2 20.21
20 Plate, Ashtray	74161-17010	30.84
21 Bracket, Plate	R 55381-17030	9.20
	L 55382-17030	9.20
22 Holder, Cup	55604-17010-C0	66.25
23 Ashtray Assy	74102-17060-C0	52.36
24 Holder, Ashtray	74104-17030	26.26
25 Ashtray	#Serviced w/Ashtray Assy	
#Included w/Ashtray Assy		
26 Radio	86120-2B680	.8 1377.33
27 Bracket, Radio	R 86211-17050	9.17
	L 86212-17050	9.17
28 Trim, Lower Dash	55046-17010-C0	.3 97.83
29 Brace, Lower Trim	55465-17020	24.04
30 Trim, Instrument	55411-17080	#.3 85.20
#Included in R&R Instrument Cluster Assy		
31 Cluster Assy, Instrument	83800-17030	m 1.0 489.75
	w/Sequential Shift Trans	m 1.0 471.61
	w/o Sequential Shift Trans	m 1.0 471.61
32 Lens, Instrument	83852-17010	m 1.0 62.16
#Included w/Instrument Cluster Assy		
33 Brace, Dash	R 55307-17070	27.21
	L 55306-17070	25.58
34 Bracket, Center Dash	55308-17010	9.09
35 Bracket, Dash	R 55374-17030	9.80
36 Reinf, Dash	55330-17110	223.98

## COWL & DASH

Use Procedure Explanations 14 and 28 with the following text.

Refinish Cowl Panel Assy	1.2
--------------------------	-----



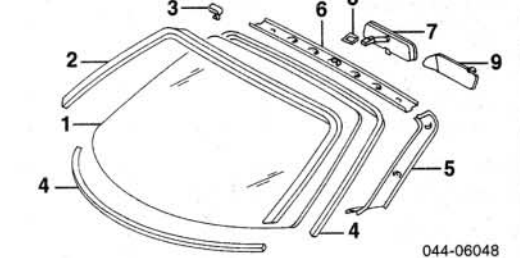
1 Louver, Cowl	55708-17080	.6 273.19
2 Plate, Louver	55786-17030	15.23
3 Panel Assy, Cowl	55700-17140	6.5 375.42
4 Panel, Side	R 55717-17030	24.38
	L 55718-17030	24.38
#Included w/Cowl Panel Assy		
5 Gusset, Dash-See Front Inner Structure Section		
6 Panel Assy, Dash	55101-17903	286.45
	2000	286.45
	2001-02	286.45
	w/Sequential Shift Trans	286.45
	w/o Sequential Shift Trans	286.45
7 Reinf, Dash Panel	R 53733-17010	30.64
	L 53734-17010	31.21
#Included w/Dash Panel Assy		
8 Cover, Dash Panel Hole	R/L 55129-17010	9.09
9 Insulator, Dash	55210-17060	102.23

## WINDSHIELD

Use Procedure Explanation 13 with the following text.

R&I Windshield Glass	#3.5
----------------------	------

#Includes Clean Up Old Adhesive as Necessary



1 Windshield	56101-17020	#3.2 530.42
	Toyota (Green)	
	NAGS (Green)	#3.2 1535.80
#Includes Clean Up Old Adhesive as Necessary		
2 Moulding, Windshield	75533-17050	#3.2 40.70
#Included in R&R Windshield		
3 Stopper, Windshield	R/L 56115-02010	20.52
4 Dam, Windshield (2)	04562-12010	35.04
5 Trim, Pillar	R 62211-17080-C0	.2 53.62
	L 62212-17080-C0	.2 53.62
6 Trim, Upper	63391-17010-C0	.2 58.99
7 Mirror, Rear View	87810-0W030	.2 71.31
8 Base, Mirror	87853-0W010	3.60
9 Visor, Sun	R 74310-17440-C0	.2 37.55
	L 74320-17440-C0	.2 37.55

## WIPER SYSTEM

Illustration Located in Next Column

1 Blade Assy, Wiper	R 85212-17140	.1 14.84
	L 85222-60170	.1 20.15
2 Insert, Wiper	R/L 85214-30310	.1 0.00
3 Backing, Insert (2/Side)	R 85224-35040	1.06
	L 85224-02020	1.34
#Included w/Wiper Blade Assy		
4 Arm, Wiper	R 85211-17080	#.2 58.36
	L 85221-17070	#.2 46.23
#Includes R&R Blade Assy or Insert		
5 Cover, Nut	R 85292-01020	2.49
6 Nut, Arm	R 90179-08113	.91
	L 90176-08051	.66
7 Transmission, Wiper	85150-17090	154.30
8 Motor, Wiper	85070-17130	.6 199.45

## INSTRUMENT PANEL

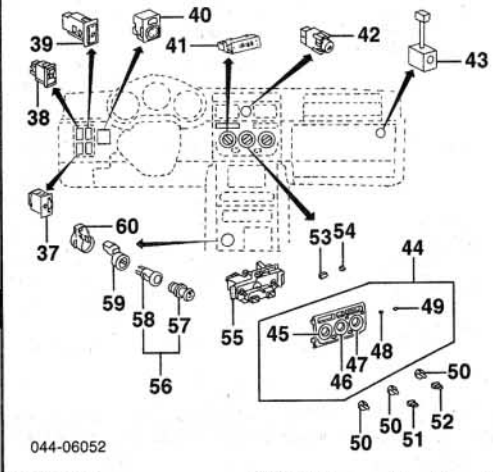
Use Procedure Explanation 14 with the following text.

R&I Instrument Panel Assy	m 4.0
---------------------------	-------

NOTE: All Parts in this section are included in R&R Instrument Panel unless noted otherwise.

Illustration Located in Next Column

1 Panel, Instrument	55311-17071-C0	m 5.0 343.87
2 Lid Assy, Storage Comp	55422-17031-C0	.2 78.88
3 Lock, Lid	55460-17020-C0	.2 8.40
4 Cushion, Lid (2)	90541-05018	1.54
#Included w/Storage Compartment Lid Assy		
5 Module, Passenger Air Bag-See Air Bag System Section	R 55670-17070-C0	.2 59.33
6 Vent, Side	L 55650-17040-C0	.2 59.33
7 Vent, Center	55660-17050-C0	.2 85.48



37 Rheostat	84119-17050	m .3 70.68	
38 Switch, Door Lock	84930-52010	57.10	
39 Switch, Window Lock	84821-20020	46.38	
40 Switch, Mirror	84870-34010	111.06	
41 Clock	83910-17050	.3 223.35	
42 Switch, Hazard	84332-20340	.3 40.52	
43 Switch, Air Bag Deactivation			
	Driver Side	69065-17020	m .5 151.10
	Passenger Side	69066-17020	m .5 139.13
44 Panel Assy, Finisher	55412-17010-C0	.3 50.47	
45 Plate, Temp Control	81942-17140	1.23	
46 Plate, Fan Control	81942-17130	1.23	
47 Plate, Air Diverter	81942-17110	9.40	
48 Plate, Recirculate Air	81942-17070	.23	
49 Plate, Fresh Air	81942-17080	.23	

*†Included w/Finisher Panel Assy*

50 Knob, Control (3)	55905-2B080	8.40
51 Button, Rear Defroster	55905-17060	5.06
52 Button, A/C	55905-17070	5.06
53 Lens, Pass Air Bag	81942-17060	1.60
54 Knob, Fresh/Recirculate	55905-2B040	4.60
55 Module, Air Control	55910-17080	m .6 170.68
56 Lighter Assy	85500-12240	28.71
57 Element, Lighter†	85520-28010	17.87
58 Socket, Element†	85510-16040	16.75

*†Included w/Lighter Assy*

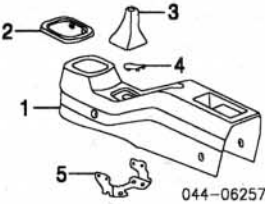
59 Lens, Light	85533-26010	9.86
60 Holder, Lighter	85513-02010	5.83

**CENTER CONSOLE**

Use Procedure Explanation 14 with the following text.

R&I Console Assy	.....	.4
------------------	-------	----

NOTE: All Parts in this section are included in R&R Center Console unless noted otherwise.



044-06257

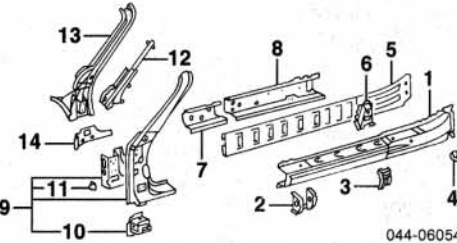
1 Console	58801-17140-C0	.6	129.67
2 Bezel, Shift Hole			
w/Sequential Shift Trans	58843-17020-C0		11.38
3 Boot, Shift Lever			
w/o Sequential Shift Trans	58808-17040-C0	#.4	22.21
4 Cover, Hole	58839-17010-C0	#.4	4.74
<i>#R&amp;R Complete</i>			
5 Bracket, Mounting	58995-17030		10.17

**ROCKER/PILLARS/FLOOR**

Use Procedure Explanations 14, 15 and 28 with the following text.

**SHEET METAL**

Refinish Rocker Panel	.....R/L	1.4
Refinish Outer Pillar Assy	.....R/L	1.0
Section Rocker Panel	.....R/L	4.5

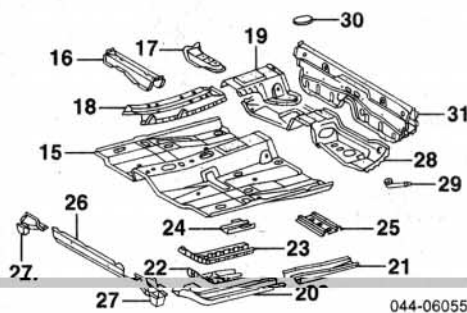


044-06054

1 Panel, Outer Rocker	R 61411-17060	s #6.5	212.63
	L 61412-17060	s #6.5	212.63
<i>#w/Quarter Panel Removed</i>			
2 Reinf, Front Rocker Panel	R 61413-17030		24.49
	L 61414-17030		24.49
3 Reinf, Rear Rocker Panel	R 61423-17020		15.23
	L 61424-17020		15.23
4 Bracket, Quarter Panel	R/L 53821-16010		4.92
5 Reinf, Rocker Panel	R 61418-17020	s 5.5	121.81
	L 61419-17020	s 5.5	121.81
6 Brace, Reinf-See Quarter Panel Section			
7 Panel, Front Inner Rocker	R 57241-17010	s 1.5	82.05
	L 57242-17010	s 1.5	82.05
8 Panel, Rear Inner Rocker	R 57401-17010	s 2.5	183.60
	L 57402-17010	s 2.5	183.60
9 Pillar Assy, Outer	R 61103-17010	s 6.5	162.48
	L 61104-17010	s 6.5	162.48
10 Extension, Outer Rocker†	R 61415-17030	s 1.0	35.98
	L 61416-17030	s 1.0	35.98
11 Bracket, Front Fender†	R/L 53821-16010		4.92
<i>†Included w/Outer Pillar Assy</i>			
12 Reinf, Pillar	R 61106-17041		120.21
	L 61107-17041		120.21
13 Panel, Inner Pillar	R 61023-17050	s 3.0	145.76
	L 61024-17050	s 3.0	145.76
14 Panel, Cowl Side	R 61123-17010	1.0	59.62
	L 61124-17010	1.0	59.62

Illustration Located in Next Column

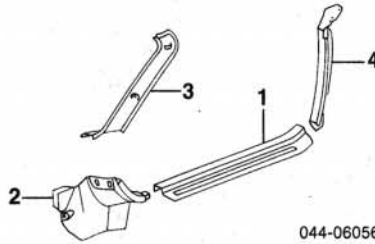
15 Panel, Front Floor	58111-17050	391.20
16 Xmbr, Floor	R 57451-17030	56.82
	L 57452-17010	56.82
17 Reinf, Seat Mounting	R 58117-17010	25.78
	L 58118-17020	25.78



044-06055

18 Support, Shift Lever	58123-17010	99.71
19 Reinf, Parking Brake	58107-17010	82.05
20 Reinf, Front Floor	R 57191-17050	140.70
	L 57192-17050	140.70
21 Reinf, Rear Floor	R/L 57505-17010	65.96
22 Brace, Reinf	R 57031-17010	77.94
	L 57032-17010	77.94
23 Reinf, Floor	R 57155-17030	92.74
	L 57156-17030	92.74
24 Reinf, Upper Patch, Floor	R/L 57145-17030	25.12
25 Xmbr, Front Floor	L 57458-17030	42.30
26 Bracket, Suspension Mounting	R 57103-17030	45.76
	L 57105-17070	52.99
	L 57106-17070	52.99
28 Panel, Rear Floor	58211-17020	142.30
29 Hose, Drain	R 87242-17010	13.58
	L 87243-17010	13.32
30 Cover, Service Hole	58325-17020	24.38
31 Xmbr, Rear Floor		
2000	57407-17020	703.49
2001-02		
w/Sequential Shift Trans	57407-17010	703.49
w/o Sequential Shift Trans	57407-17020	703.49

**INTERIOR TRIM**

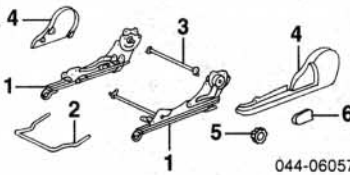


044-06056

1 Plate, Scuff	R 67913-17070-C0	.2	98.11
	L 67914-17080-C0	.2	98.11
2 Trim, Side Cowl	R 62111-17040-C0	.2	53.62
	L 62112-17040-C0	.2	53.62
3 Trim, Pillar-See Windshield Section			
4 Trim, Lower Quarter Panel-See Quarter Panel Section			

**FRONT SEAT**

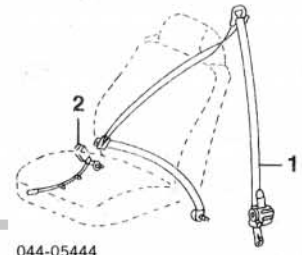
R&I Front Seat Assy	.....R/L	.4
---------------------	----------	----



044-06057

1 Track, Seat			
Passenger Side	R 72011-17020	#.7	208.03
Driver Side	L 72021-17020	#.7	208.03
	R 72022-17010	#.7	208.03
	L 72012-17010	#.7	208.03
<i>#R&amp;R Complete One Seat</i>			
2 Lever, Seat Adjusting			
Passenger Side	72201-20130		15.23
Driver Side	72201-20130		15.23
3 Bar, Reclining			
Passenger Side	72345-47010		17.89
Driver Side	72345-47010		17.89
4 Cover, Seat Track			
Passenger Side	R 71811-20310-C0	.2	42.58
	L 71861-20140-C0	.2	27.98
Driver Side	R 71862-20140-C0	.2	27.98
	L 71812-20280-C0	.2	42.58
5 Knob, Vertical Adjust			
Driver Side	72592-20040-C0		12.75
6 Lever, Reclining			
Passenger Side	72525-02030-C0		9.52
Driver Side	72526-02030-C0		9.52

**SEAT BELTS**



044-05444

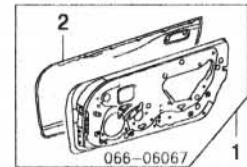
1 Belt, Front Seat	99-01 R 73210-17180-C0	#.4	177.06
	L 73220-17160-C0	#.4	177.06
	02 R 73210-17181-C0	#.4	181.73
	L 73220-17161-C0	#.4	181.73
<i>#w/Quarter Lower Trim Removed</i>			
2 Buckle, Seat Belt	99-01 R 73230-2B010-C0	.3	26.72
	L 73230-20760-C0	.3	26.72
	02 R 73230-2B011-C0	.3	26.72
	L 73230-20761-C0	.3	26.72

**FRONT DOOR**

Use Procedure Explanations 16 and 28 with the following text.

**SHEET METAL**

Refinish Door Outside	.....R/L	2.0
Add for Jamb & Interior	.....R/L	1.0
Add for Jamb	.....R/L	.5
R&I Door Assy	.....R/L	.8

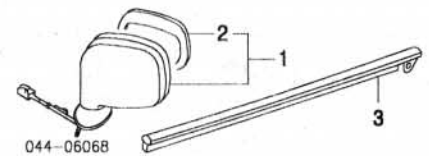


066-06067

1 Shell Assy	R 67001-17110	#4.0	756.46
	L 67002-17110	#4.0	756.46
<i>#Includes R&amp;I/R&amp;R Mirror</i>			
2 Panel, Repair†	R 67111-17040	#5.5	265.83
	L 67112-17040	#5.5	265.83
<i>†Included w/Shell Assy</i>			
<i>#Includes R&amp;I/R&amp;R Mirror &amp; Door Glass</i>			

**EXTERIOR TRIM**

Refinish Mirror Assy	.....R/L	.7
R&I Mirror Assy	.....R/L	#.7
<i>#Includes R&amp;I Trim Panel</i>		
R&I Belt Moulding	.....R/L	.3



044-06068

1 Mirror Assy			
Black (Code 202)	R 87910-17330-C0	#.3	186.66
	L 87940-17340-C0	#.3	186.66
Blue (Code 8M6)	R 87910-17330-J0	#.3	186.66
	L 87940-17340-J0	#.3	186.66
Dark Green (Code 6R4)	R 87910-17330-G1	#.3	186.66
	L 87910-17340-G1	#.3	0.00
Green (Code 6S1)	R 87910-17330-G0	#.3	186.66
	L 87940-17340-G0	#.3	186.66
Red (Code 3P0)	R 87910-17330-D0	#.3	186.66
	L 87940-17340-D0	#.3	186.66
Silver (Code 1D0)	R 87910-17330-B0	#.3	186.66
	L 87940-17340-B0	#.3	186.66
White (Code 040)	R 87910-17330-A0	#.3	186.66
	L 87940-17340-A0	#.3	186.66
Yellow (Code 576)	R 87910-17330-F0	#.3	186.66
	L 87940-17340-F0	#.3	186.66
<i>#w/Trim Panel Removed</i>			
2 Glass, Mirror†	R 87931-17330		34.03
	L 87961-17340		34.03
<i>†Included w/Mirror Assy</i>			
3 Moulding, Outer Belt	R 75711-17030	.3	52.07
	L 75712-17030	.3	52.07

**INTERIOR TRIM**

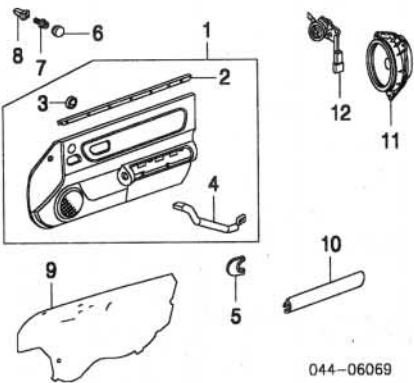
R&I Trim Panel	.....R/L	.4
----------------	----------	----

NOTE: All Parts in this section are included in R&R Trim Panel unless noted otherwise.

# TOYOTA MR2 2000-02

## FRONT DOOR Cont'd

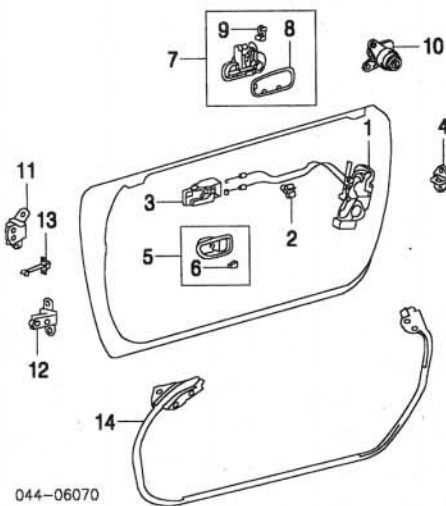
### INTERIOR TRIM Cont'd



1 Panel Assy, Door Trim <sup>†</sup>	R 67610-17500-C0	.6	394.34
	L 67620-17460-C0	.6	394.34
<i>†Black listed, Order by Application</i>			
2 Moulding, Inner Belt (a)	R 68171-17010		19.47
	L 68172-17010		19.47
3 Grille, Upper Speaker (a)	R 67609-17010-C0		5.40
	L 67709-17010-C0		5.40
4 Handle, Pull (a)	R 74630-17010	.2	34.38
	L 74640-17010	.2	34.38
<i>(a) Included w/Door Trim Panel Assy</i>			
5 Cover, Handle Screw	R 74611-17010-C0		3.63
	L 74612-17020-C0		3.63
6 Plug, Screw	R/L 90950-01800-C0		2.57
7 Screw, Panel	R/L 90159-40141		.66
8 Grommet, Screw	R/L 90189-04073		.60
9 Shield, Moisture	R 67831-17050	#	10.97
	L 67832-17050	#	10.97
<i>†Not Included in R&amp;R Trim Panel</i>			
10 Cover, Armrest	R 74221-17020-C0		25.69
	L 74222-17020-C0		25.69
11 Speaker, Lower	R/L 86160-22860	#.2	58.74
12 Speaker, Upper	R 86160-17140	#.2	43.87
	L 86160-17150	#.2	43.87
<i>†w/Trim Panel Removed, Not Included in R&amp;R Trim Panel</i>			

### HARDWARE

Refinish Outside Handle.....	R/L	.5
Refinish Upper Hinge.....	R/L	.2
Refinish Lower Hinge.....	R/L	.2
R&I Outside Handle.....	R/L	#.7
<i>†Includes R&amp;I Trim Panel</i>		

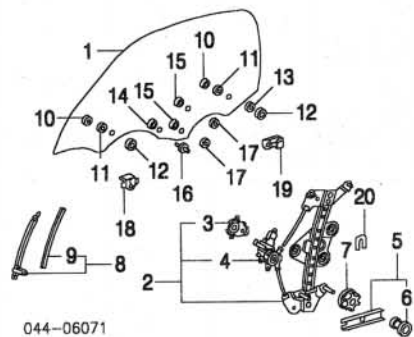


1 Latch, Door	R 69030-17130	#.3	210.72
	L 69040-17130	#.3	210.72
<i>†w/Trim Panel Removed</i>			
2 Holder, Cable (2/Side)	R/L 69749-32040		2.57
3 Handle, Inside	R 69205-17010-C0	.2	30.87
	L 69206-17010-C0	.2	30.87
4 Striker, Latch	R/L 69410-20110	.2	16.18
5 Bezel Assy, Inside Handle	R 69277-22090-C0		12.66
	L 69278-22050-C0		12.66
6 Plug, Handle Bezel <sup>†</sup>	R 69283-30040-C0		0.00
	L 69284-30040-C0		1.40
<i>†Included w/Inside Handle Bezel Assy</i>			
7 Handle Assy, Outside	R 69210-12290-C1	#.3	78.57
	L 69220-12290-C1	#.3	78.57
	R 69210-12290-J9	#.3	78.57
	L 69220-12290-J9	#.3	78.57

Dark Green (Code 6R4)	R 69210-12290-C0	#.3	78.57
	L 69220-12290-C0	#.3	78.57
Green (Code 6S1)	R 69210-12290-G9	#.3	78.57
	L 69220-12290-G9	#.3	78.57
Red (Code 3P0)	R 69210-12290-D7	#.3	78.57
	L 69220-12290-D7	#.3	78.57
Silver (Code 1D0)	R 69210-12290-B7	#.3	0.00
	L 69220-12290-B7	#.3	78.57
White (Code 040)	R 69210-12290-A0	#.3	78.57
	L 69220-12290-A0	#.3	78.57
Yellow (Code 576)	R 69210-12290-F1	#.3	78.57
	L 69220-12290-F1	#.3	78.57

<i>†w/Trim Panel Removed</i>			
8 Pad, Outside Handle <sup>†</sup>	R 69241-12100		3.40
	L 69242-12050		3.40
9 Clip, Rod <sup>†</sup>	R 69293-12030		1.91
	L 69293-12040		1.91
<i>†Included w/Outside Handle Assy</i>			
10 Cyl, Lock	R 69051-17110	#.3	46.34
	L 69052-17110	#.3	0.00
<i>†w/Trim Panel Removed, Included in R&amp;R Outside Handle</i>			
11 Hinge, Upper	R 68710-33020	#.2	39.13
	L 68720-33020	#.2	39.13
12 Hinge, Lower	R 68730-17030	#.2	39.13
	L 68740-17030	#.2	39.13
<i>†w/Door Assy Removed</i>			
13 Check, Door	R 68610-17020	#.2	56.71
	L 68620-17020	#.2	56.71
<i>†w/Trim Panel Removed</i>			
14 Weatherstrip, Door	R 67861-17040	.3	31.04
	L 67862-17040	.3	31.04

### GLASS & PARTS

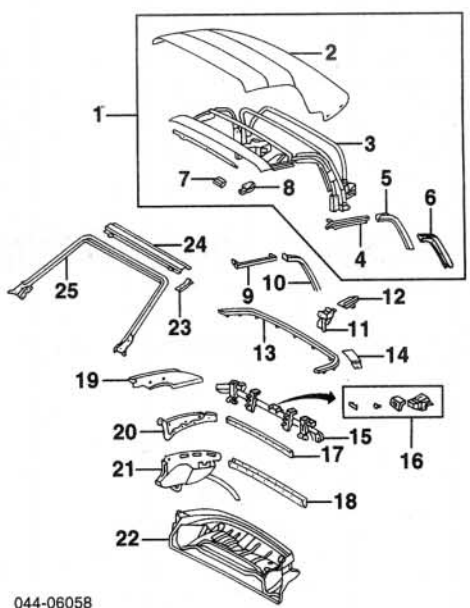


1 Glass, Door	Toyota (Green)	R 68101-17110	.9	143.24
		L 68102-17110	.9	143.24
	NAGS (Green)	R/L FD20936-7GTN	.9	720.05
2 Regulator Assy, Window	R 69810-17070	#.1.2	260.49	
	L 69820-17070	#.1.2	260.49	
<i>†Includes R&amp;R Door Glass</i>				
3 Cover, Gear <sup>†</sup>	R 69813-20050		6.03	
	L 69814-20050		6.03	
4 Motor, Regulator <sup>†</sup>	R 85710-17040	#.3	254.93	
	L 85720-17040	#.3	254.93	
<i>†Included w/Window Regulator Assy</i>				
<i>†w/Regulator Removed</i>				
5 Plate Assy, Window Guide	R/L 67443-20080		0.00	
6 Snap, Window Guide <sup>†</sup>	R/L 67439-12020		3.09	
<i>†Included w/Window Guide Plate Assy</i>				
7 Spacer, Regulator	R/L 69817-22020		3.34	
8 Guide Assy, Front Window	R 67401-14240	#.2	51.44	
	L 67402-14230	#.2	51.44	
9 Run, Window <sup>†</sup>	R/L 68141-14100	#.2	9.86	
<i>†Included w/Front Window Guide Assy</i>				
<i>†w/Door Glass Removed</i>				
10 Nut, Stopper (2/Side)	R/L 90179-06033		1.91	
	R/L 90209-09005		1.41	
11 Cushion, Stopper (2/Side)	R/L 68147-30020		5.92	
12 Stopper, Glass (2/Side)	R/L 90202-10024		.57	
13 Pad, Stopper	R/L 90901-79005		3.20	
14 Pad, Adjusting Bolt	R/L 90179-10191		1.91	
15 Nut, Mounting (2/Side)	R/L 69913-30090		3.14	
16 Bolt, Adjusting	R/L 90179-10192		.89	
17 Nut, Mounting (2/Side)	R/L 67211-30070		4.97	
18 Stop, Glass (2/Side)	R 67235-12030		7.52	
19 Stabilizer, Glass	L 67236-12020		7.52	
20 Shim, Adjusting <sup>†</sup>	R/L 63277-20030		1.46	
	R/L 63277-20050		1.83	
<i>†As Required</i>				

### CONVERTIBLE TOP

Illustration Located in Next Column

1 Top Assy, Convertible	Black	65910-17010-C0	3.4	3880.23
	Tan	65910-17020-E0	3.4	3911.78
2 Cover, Outer <sup>†</sup>	Black	65911-17010-C0	#5.2	1530.01
	Tan	65911-17020-E0	#5.2	1526.87
3 Frame, Top <sup>†</sup>		65950-17010	#5.2	1586.80
<i>†R&amp;R Complete</i>				



4 Moulding, Front Drip <sup>†</sup>	R 75555-17010	.3	27.98
	L 75556-17010	.3	27.98
5 Weatherstrip, Rear <sup>†</sup>	R/L 65937-17010	.3	71.31
6 Moulding, Rear Drip <sup>†</sup>	R 75553-17020	.3	36.30
	L 75554-17020	.3	36.30
7 Handle, Center <sup>†</sup>	65903-17010	.2	117.98
8 Latch, Side <sup>†</sup>	R 69330-17010	.3	222.09
	L 69340-17010	.3	222.09
<i>†Included w/Convertible Top Assy</i>			
9 Weatherstrip, Front	R 62381-17060	.2	29.67
	L 62382-17060	.2	29.67
10 Weatherstrip, Rear	R 62383-17010	.2	34.78
	L 62384-17010	.2	34.78
<i>†Included w/Quarter-See Quarter Panel Section</i>			
11 Seal, Quarter-See Quarter Panel Section	R 75678-17021		23.26
	L 75677-17021		23.26
12 Cover, Moulding End	R 75650-17010	.4	425.89
	L 75650-17010	.4	425.89
13 Moulding, Rear Belt	R 75678-17010		4.77
	L 75679-17010		4.77
14 Cover, Moulding	R 65430-17010		109.17
	L 65904-17011	.2	79.19
15 Frame, Top Support	65917-17010		45.13
16 Latch, Hold-Down	65758-17010		57.45
17 Retainer, Rear Tarpaulin	R 64910-17011-C0		194.66
	L 64920-17011-C0		194.66
	R 64910-17011-E0		194.66
	L 64920-17011-E0		194.66
18 Seal, Side Opening	R 65916-17010		28.89
	L 65925-17010		28.89
	R 65679-17011		45.76
	L 65689-17011		45.76
19 Cover, Side Opening	R 64270-17210	.4	123.35
	L 64270-17210	.4	123.35
20 Retainer, Side Tarpaulin	R 63217-17020		115.18
	L 63218-17020		115.18
21 Seal, Side	R 63217-17020		115.18
	L 63218-17020		115.18
22 Panel, Trim	R 63217-17020		115.18
23 Hook, Roof	L 63218-17020		115.18
24 Trim, Upper-See Windshield Section			
25 Weatherstrip	63251-17030	.5	51.03

### HARD TOP

Refinish Hard Top Shell.....		3.0
Add to Edge Top.....		.5

1 Shell, Hard Top (P)	63204-17090	4.0	2637.37
<i>(P) Paint to Match</i>			



2 Glass, Rear Toyota (Green) NAGS (Green)	64821-17010 FB20938GTN	2.0 2.0	312.01 0.00
3 Dam, Glass 108cm 230cm	64814-17010 64813-17020 R 64827-17020 L 64828-17020	10.46 18.32 1.06 1.00	
4 Clip, Glass	R 58395-17020 L 58396-17020	29.72 29.72	
5 Bracket, Set	R 75565-17010 L 75566-17010	22.98 22.98	
6 Protector, Side Roof	R 62437-17010 L 62438-17010	3.77 3.77	
7 Protector, Corner	R 62437-17010 L 62438-17010	3.77 3.77	
8 Weatherstrip, Side	R 62377-17020 L 62378-17020	2 45.29 2 45.29	
9 Retainer, Rear Weatherstrip	R 62377-17020 L 62378-17020	14.89 14.89	
10 Retainer, Front Weatherstrip	R 62365-17030 L 62366-17030	23.04 23.38	
11 Trim, Inner Side	R 63438-17010 L 63439-17010	3 51.01 3 51.01	
12 Panel, Headliner Latch, Top	R 63311-17070 R 69330-17020 L 69340-17020	1.0 454.30 3 210.75 3 214.23	
14 Latch, Rear	R/L 63203-17040	3 101.71	
15 Plate, Rear Latch	R 69341-17010 L 69342-17010	26.38 26.38	
16 Hook, Latch	R 69431-17010 L 69432-17010	92.54 92.54	
17 Protector, Rear	R 63666-17030	23.61	
18 Weatherstrip, Rear	R 63252-17040	4 68.09	
19 Panel, Inner Trim	R 63214-17030	4 34.71	
20 Protector, Rear Latch	R 63273-17060 L 63274-17050	3.94 3.94	
21 Trim, Upper-See Windshield Section	R 63251-17030	5 51.03	
22 Weatherstrip	R 64101-17030	4 478.36	
23 Panel Assy, Trim	R/L 82715-17180	5.20	
24 Retainer, Trim Panel	R/L 82715-17180	5.20	
25 Case, Hard Top	63259-17010	45.21	

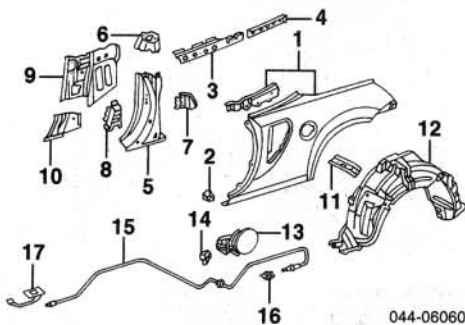
**QUARTER PANEL**

Use Procedure Explanations 20 and 28 with the following text.

**SHEET METAL**

Refinish Quarter Panel Outside.....	R/L	2.0
Add to Edge Panel .....	R/L	.5
Add for Pillar .....	R/L	.5
Refinish Fuel Door .....	#.4	

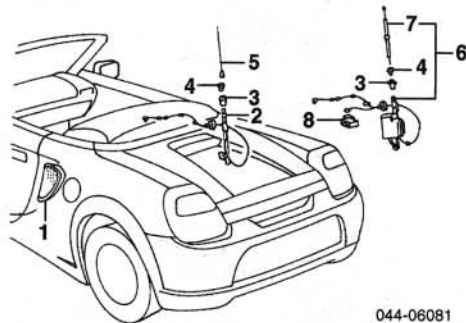
#Included in Refinish Left Quarter Panel Outside



044-06060

1 Panel, Quarter	R 61601-17180 L 61602-17120	#3.1 292.15 #3.1 292.15
#Includes R&I Bumper Assy & R&I/R&R Wheelhouse Liner		
2 Bracket, Quarter Panel-See Rocker/Pillars/Floor Section		
3 Reinf, Front Side Panel	R 65545-17010	2.0 47.01
4 Reinf, Rear Side Panel	R 65546-17010 L 65548-17010	2.0 47.01 1.5 27.38 1.5 28.12
5 Reinf, Outer Quarter Panel	R 61311-17010 L 61312-17010	3.0 131.24 3.0 131.24
6 Reinf, Striker	R 61505-17010 L 61506-17010	10.77 10.77
7 Seal, Quarter	R 61395-17020 L 61396-17010	17.95 17.95
8 Brace, Reinf	R 61323-17010 L 61324-17010	.5 26.21 .5 26.21
9 Reinf, Inner Quarter Panel	R 61307-17011 L 61308-17010	1.5 131.24 1.5 131.24
10 Extension, Inner Reinf	R 61345-17020 L 61346-17020	1.0 22.32 1.0 22.32
11 Bracket, Liner	R/L 61637-17030	10.06
12 Liner, Wheelhouse	00-01 R 65637-17010 L 65638-17010 Q2 R 63637-17020 L 63638-17020	4 77.94 4 77.94 4 0.00 4 0.00
13 Door, Fuel	L 77350-17030	3 49.84
14 Spring, Door	L 77366-17022	1.23
15 Cable, Door Release	L 77035-17070	.8 22.89
16 Retainer, Door Lock	L 77378-60020	1.17
17 Lever, Door Release	L 69306-17050	56.82

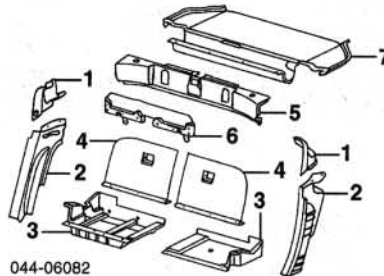
**EXTERIOR TRIM**



044-06081

1 Grille, Air Inlet	R 62907-17030 L 62908-17030	.3 53.62 .3 53.62
2 Base, Manual Antenna	R 86309-17100	1.2 32.75
3 Ornament, Antenna	R 86392-17110 Manual Power	10.60 9.57
4 Nut, Antenna	R 86396-20030	12.49
5 Mast, Manual Antenna	R 86309-32011	2 32.53
6 Antenna Assy, Power	R 86309-17090	1.2 153.85
7 Mast, Power Antenna	R 86337-17080	2 45.07
#Included w/Power Antenna Assy		
8 Relay, Control	R 85914-17010	161.85

**INTERIOR TRIM**



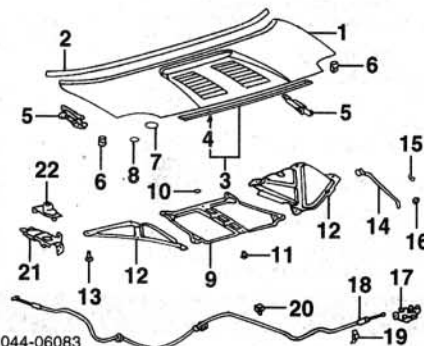
044-06082

1 Trim, Upper Quarter	R 74817-17010-C0 L 74818-17010-C0	.2 41.33 .2 41.33
2 Trim, Lower Quarter	R 62511-17080-C0 L 62512-17070-C0	.3 84.67 .3 84.67
3 Box, Storage	R 64429-17010-C0 L 64439-17020-C0	.2 162.79 .2 107.57
4 Door, Storage Box	R 64411-17100-C0 L 64412-17070-C0	179.19 179.19
5 Trim, Upper	R 64712-17040-C0	4 146.70
6 Deflector, Wind	R 63230-17020	.3 125.24
7 Panel, Package Tray Trim	R 64330-17010	4 190.57

**ENGINE LID**

Use Procedure Explanations 24 and 28 with the following text.

Refinish Engine Lid Outside.....	2.1
Add for Underside .....	1.1
Refinish Hinge.....	R/L .3
R&I Engine Lid Assy .....	4



044-06083

1 Lid, Engine	R 64403-17060	1.2 435.35
2 Seal, Front Engine Lid	R 64485-17030	.2 25.18
3 Seal Assy, Rear Engine Lid	R 64489-17020	.2 19.63
4 Clip, Seal(4)	R 90467-08011-83	.33
#Included w/Rear Engine Lid Seal Assy		
5 Hinge, Lid	R 68810-17050 L 68820-17070	#.2 43.56 #.2 43.56
#w/Engine Lid Removed		
6 Cushion, Lid	R/L 90541-15026	3.57
7 Cover, Large Hole	R/L 90950-06124	1.64
8 Cover, Small Hole	R/L 90950-01859	2.04

9 Panel, Lower	R 64474-17021	.2 66.25
10 Bolt, Lower Panel (4)	R 90159-50374	.49
11 Clip, Lower Panel (2)	R 90467-07059-22	.63
12 Insulator, Engine Lid	R 53341-17020 L 53342-17010	.2 68.48 2 24.44
13 Rod, Insulator (5/Side)	R/L 90467-10018	1.00
14 Clip, Support	R 64407-17050	.2 11.49
15 Clip, Rod	R 90959-01136	4.94
16 Grommet, Rod	R 90480-15028	1.83
17 Latch, Engine Lid	R 69350-17051	.2 69.73
18 Cable, Release	R 69307-17090	.8 24.24
19 Holder, Rear Cable (2)	R 90959-01369	1.67
20 Holder, Side Cable (3)	R 90467-13012	.78
21 Lever, Door Release-See Quarter Panel Section		
22 Bezel, Lock	R 69365-17040	7.86

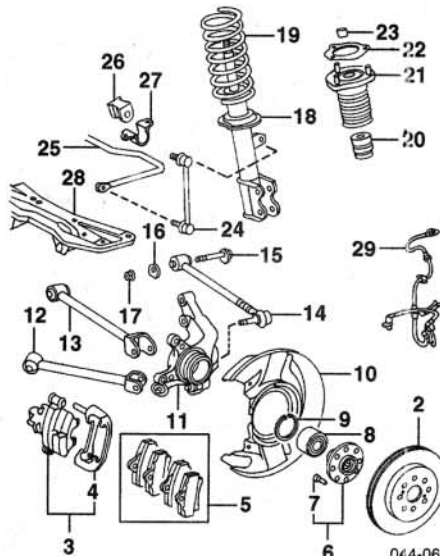
**REAR SUSPENSION**

Use Procedure Explanation 23 with the following text.

R&I Suspension (One Side).....	R/Lm	1.8
O/H Suspension (Includes R&I)		
One Side .....	R/Lm	3.7
Both Sides.....	m	7.0
Adjust Four Wheel Alignment .....	m	1.4
Bleed Brake System .....	m	.3

NOTE 1: R&I/R&R or O/H Does Not include alignment or bleed brake system.

NOTE 2: All Parts in this section are included in overhaul unless noted otherwise.



044-06084

1 Nut, Axle	R/L 90177-22001	m	2.54
2 Rotor, Brake	R/L 42431-17080	m #6	120.11
#R&R Both Sides 1.0			
3 Caliper Assy, Brake	R 47730-17120 L 47750-17120	m #5	442.73 442.73
4 Bracket, Caliper Mounting	R 47707-17050 L 47708-17050	m #5	63.42 63.42
#Included w/Brake Caliper Assy			
#R&R One Side Complete, R&R Both Sides .8, w/Rotor Removed Deduct .3			
5 Pad Set, Brake	R 04466-17080	m #1.0	55.44
#Deduct .5 for each Caliper Removed			
6 Hub Assy, Wheel	R/L 42301-17040	m #1.9	155.56
7 Stud, Wheel (b) (4/Side)	R 90942-02049	m	2.94
(b) Included w/Wheel Hub Assy			
8 Bearing, Wheel	R/L 90080-36136	m #1.9	25.32
9 Ring, Snap	R/L 90521-79002	m #1.9	2.11
10 Plate, Backing	R/L 47881-17070	m #1.9	21.32
11 Knuckle, Susp	R 42304-17030 L 42305-17030	m #1.9	195.28 195.28
#R&R One Side Complete, Includes R&R Rotor, R&R Both Sides 3.6			
12 Arm, Trailing	R/L 48780-17050	m #6	93.37
#w/Knuckle Removed Deduct .3, R&R Both Sides 1.0			
13 Arm, Lower Control	R/L 48710-17050	m #8	93.37
#w/Knuckle Removed Deduct .4, R&R Both Sides 1.4			
14 Arm, Track	R/L 48730-17060	m #8	110.12
#w/Knuckle Removed Deduct .3, R&R Both Sides 1.4			
15 Bolt, Camber Adjust	R/L 48190-32010	m	7.46
16 Cam, Camber Adjust	R 48198-32040 L 48190-32010	m	11.52 7.46
17 Nut, Adjusting Bolt	R/L 90179-12127	m	.89
18 Absorber, Strut Shock			
2000	R 48530-80060 L 48540-19366	m #1.6	176.72 176.72
2001	R 48530-80060 L 48540-19366	m #1.6	176.72 176.72
From 4-01	R 48530-80060 L 48540-19366	m #1.6	176.72 176.72
2002	R 48530-80060 L 48540-19366	m #1.6	176.72 176.72
19 Spring, Coil	R/L 48231-17890	m #1.6	43.16
20 Bumper, Spring	R/L 48331-12130	m #1.6	22.86

# TOYOTA MR2 2000-02

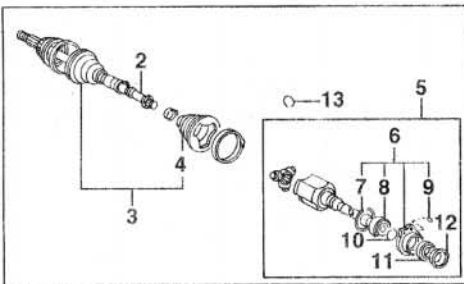
## REAR SUSPENSION Cont'd

21 Support	R/L 48750-17050	m #1.6	91.48
22 Plate, Spacer	R/L 48753-17040	m #1.6	8.80
23 Collar	R/L 90387-15027	m #1.6	3.60
<b>#R&amp;R One Side Complete, w/Knuckle Removed Deduct .8, R&amp;R Both Sides 3.0</b>			
Nut, Absorber	R/L 90179-14015		.80
24 Link, Stabilizer	R/L 48830-17070	m #4	42.58
<b>#Included in R&amp;R Stabilizer Bar, Not Included in O/H</b>			
25 Bar, Stabilizer	48812-17150	m #1.0	81.88
<b>#Includes R&amp;R Stabilizer Links, Brackets &amp; Bushings, Not Included in O/H</b>			
26 Bushing, Stabilizer Bar	R/L 48818-17150	m #.3	11.92
27 Clamp, Stabilizer Bar	R/L 48824-20100	m #.3	10.89
<b>#R&amp;R One Side Complete, Not Included in O/H</b>			
28 Xmb, Suspension-See Rear Body Section			
29 Sensor, Rear ABS-See ABS/Brakes Section			

## REAR DRIVE AXLE

R&I Drive Axle Assy	R/Lm #1.8
O/H Drive Axle Assy (Includes R&I)	R/Lm #2.4
<b>#w/Knuckle Removed Deduct 1.2</b>	

NOTE: All Parts in this section are included in overhaul unless noted otherwise.

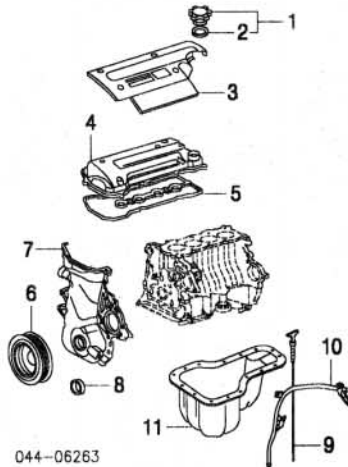


1 Axle Assy, Drive			
2000	R 42330-17190	m #1.8	393.66
	L 42340-17150	m #1.8	352.40
2001			
To 4-01	R 42330-17190	m #1.8	393.66
	L 42340-17150	m #1.8	352.40
From 4-01	R 42330-17191	m #1.8	393.60
	L 42340-17151	m #1.8	352.43
2002	R 42330-17191	m #1.8	393.60
	L 42340-17151	m #1.8	352.43
2 Shaft			
2000	R 43460-19765	m #2.4	461.94
	L 43460-19775	m #2.4	475.95
2001			
To 4-01	R 43460-19765	m #2.4	461.94
	L 43460-19775	m #2.4	475.95
From 4-01	R 43460-19766	m #2.4	455.18
	L 43460-19776	m #2.4	475.95
2002	R 43460-19766	m #2.4	455.18
	L 43460-19776	m #2.4	475.95
<b>#w/Knuckle Removed Deduct 1.2</b>			
3 Boot Assy, Inner/Outer			
2000	R/L 04438-20390	m	31.96
2001			
To 4-01	R/L 04438-20390	m	31.96
From 4-01	R/L 04438-63010	m	31.96
2002	R/L 04438-63010	m	31.96
4 Boot, Inner (a)			
2000	R/L 04438-12470	m	19.93
2001			
To 4-01	R/L 04438-12470	m	19.93
From 4-01	R/L 04438-32240	m	23.95
2002	R/L 04438-32240	m	23.95
<b>(a) Included w/Inner/Outer Boot Assy</b>			
5 Joint Assy, Inner			
2000	R 43030-32060	m #2.4	337.55
	L 43040-32040	m #2.4	277.31
<b>#w/Knuckle Removed Deduct 1.2</b>			
6 Support Assy, Bearing (b)	R 43045-20010	m	53.62
7 Ring, Snap (b) (c)	R 96153-00680	m	2.94
8 Bearing (b) (c)	R 90363-36004	m	35.18
9 Pin, Guide (b) (c)	R 90250-06003	m	.83
<b>(c) Included w/Bearing Support Assy</b>			
10 Ring, Snap (b)	R 90081-52006	m	1.09
	L 90081-52005	m	2.30
11 Seal, Bearing (b)	R 43458-20011	m	12.43
12 Seal, Dust (b)	R 41336-06010	m	19.41
	L 41336-02030	m	3.26
<b>(b) Included w/Inner Joint Assy</b>			
13 Ring, Inner Joint	R/L 90520-22005	m	1.17
<b>#Included w/Drive Axle Assy</b>			
14 Support, Axle	R 43457-20080	m #.4	68.48
<b>#w/Right Drive Axle Assy Removed</b>			

## ENGINE

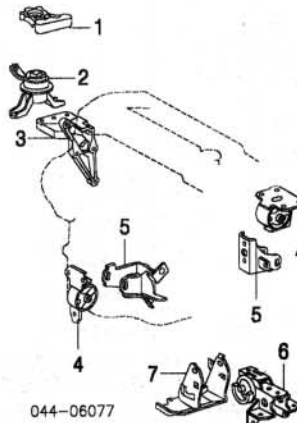
Use Procedure Explanation 12 with the following text.

R&I Engine/Trans Assy	m 12.8
-----------------------	--------



1 Cap Assy, Oil Filler	12180-0D010	9.12
2 Gasket, Oil Filler Cap	90430-37140	1.57
<b>#Included w/Oil Filler Cap Assy</b>		
3 Panel, Valve Cover Finish	11212-22060	.3 27.49
4 Cover, Valve	11201-22060	m .8 270.36
5 Gasket, Valve Cover	11213-0D040	m 17.73
6 Pulley, Crank	13470-0D010	m .9 190.65
7 Cover, Timing	11321-22021	m #4.0 171.93
<b>#Includes R&amp;R Crank Pulley</b>		
8 Seal, Cover	90080-31049	5.40
9 Dipstick, Eng Oil	15301-22040	11.52
10 Tube, Eng Dipstick	11452-22040	.5 18.69
11 Pan, Eng Oil	12101-0D010	m 2.3 94.97

## ENGINE/TRANS MOUNTS



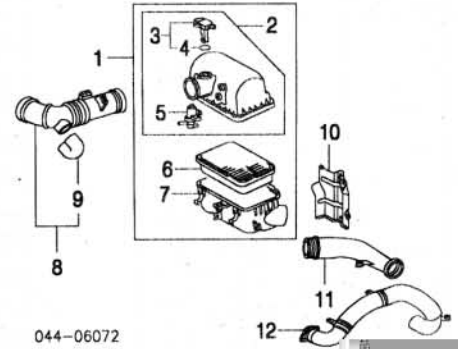
1 Brkt, Upper Mount	12316-22070	#.6	57.45
2 Insulator, Front	12362-22040	#.6	116.89
<b>#R&amp;R Complete</b>			
3 Brkt, Lower Mount	12315-22040	#.3	74.45
<b>#w/Front Insulator Removed</b>			
4 Insulator, Side Engine	R 12371-22080	#1.3	72.28
	L 12361-22050	#1.3	51.41
<b>#R&amp;R Both 1.7</b>			
5 Brkt, Engine Insulator			
2000	R 12321-22060	#.2	37.87
	L 12301-22060	#.2	33.47
2001-02			
w/Sequential Shift Trans	R 12321-22060	#.2	37.87
	L 12311-22080	#.2	33.47
w/o Sequential Shift Trans	R 12321-22060	#.2	37.87
	L 12301-22060	#.2	33.47
<b>#w/Side Insulator Removed</b>			
6 Insulator, Trans	12372-22040	.9	77.65
7 Brkt, Trans Insulator	12325-22040	#.2	47.64
<b>#w/Trans Insulator Removed</b>			

## AIR CLEANER

R&I Air Cleaner Assy	4
----------------------	---

Illustration Located in Next Column

1 Cleaner Assy, Air	17700-22080	.4	258.99
2 Cover Assy, Air Cleaner	17705-22100	#.3	285.20
<b>#Includes R&amp;R Filter Element</b>			
3 Meter Assy, Air Flow (a)	22204-0D030	m .3	151.10
4 Seal, Meter (a) (b)	90099-14141		1.03

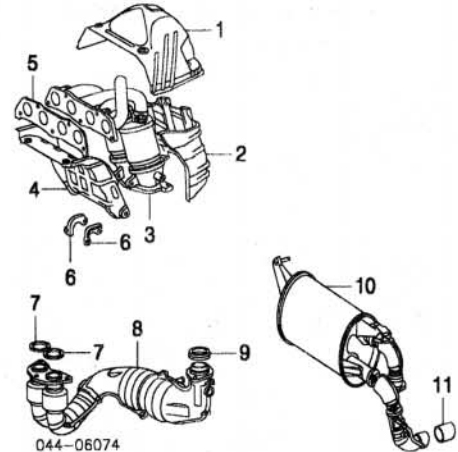


044-06072

<b>(b) Included w/Air Flow Meter Assy</b>			
5 Valve, Air (a)	90910-12222		43.44
<b>(a) Included w/Air Cleaner Cover Assy</b>			
6 Element, Filter	17801-16020-83	.2	14.87
7 Housing, Lower	17701-22080		112.63
<b>#Included w/Air Cleaner Assy</b>			
8 Hose Assy, Intake	17880-22010	.3	80.77
9 Resonator (a)	17894-11050		15.92
<b>(a) Included w/Intake Hose Assy</b>			
10 Bracket, Mounting	17853-22050		15.92
11 Duct, Air	17751-22050	.4	25.01
12 Duct, Air Intake	17752-22010	.4	77.94

## EXHAUST

R&R Exhaust System Complete	#1.3
<b>#w/Rear Bumper Cover Removed, Does Not Include R&amp;R Manifold or Shields</b>	



044-06074

1 Shield, Upper Outer	17167-22050		96.23
2 Shield, Lower Outer	17168-22050		50.19
3 Manifold & Converter	17104-22061	m #1.6	577.98
<b>#Includes R&amp;R Outer &amp; Inner Shields</b>			
4 Shield, Inner	17169-22010		50.19
5 Gasket, Manifold	17173-22010	m	24.52
6 Support, Manifold			
Front	17118-22040		12.32
Rear	17119-22040		12.32
7 Gasket, Pipe (2)	90917-06065		7.34
8 Pipe, Exhaust	17410-22130	.9	1036.57
9 Gasket, Muffler	17451-22060		30.87
10 Muffler	17430-22090	1.1	283.44
11 Baffle, Tailpipe	17408-16030		64.78

## EMISSION SYSTEM

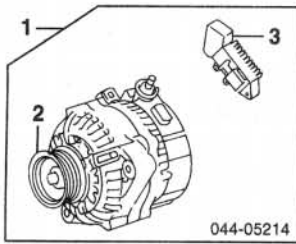


044-06080

1 Shield, Canister	77765-17010		41.67
2 Canister, Vapor	77740-17051	m 1.6	275.69

**ELECTRICAL**

**ALTERNATOR**

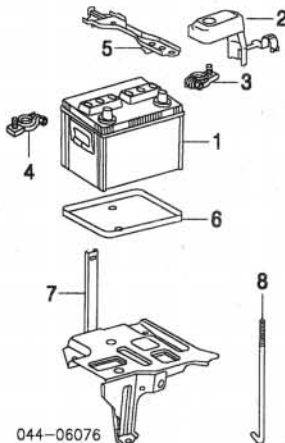


044-05214

1 Alternator Assy	27060-22040-84	m	.8	R345.81
2 Pulley, Alternator	27411-50050	m		19.18
3 Regulator, Voltage	27700-20050	m		136.27

#Included w/Alternator Assy

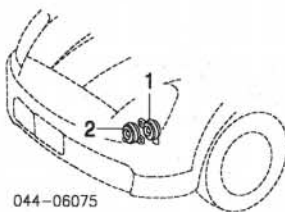
**BATTERY**



044-06076

1 Battery	N.A.		4	0.00
2 Cover, Positive Terminal	82821-12290			9.43
3 Terminal, Positive	90982-05035			14.40
4 Terminal, Negative	90982-06024			9.43
Cable, Battery (See Rear Body Section)				
#Serviced w/Engine Compartment Harness Assy				
5 Clamp, Battery	74404-17100			13.12
6 Tray, Battery	74431-17020			30.41
7 Carrier, Battery	74410-17010		#.5	100.97
#Includes R&R Battery				
8 Bolt, "J"	74451-10060			4.23

**HORN**



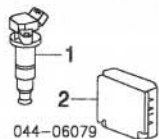
044-06075

1 Horn, High Note	86510-17130	#.3		49.59
2 Horn, Low Note	86520-17130	#.3		49.59

#R&R Both .4

**IGNITION/FUEL**

R&R Ignition Coils Complete.....m .6

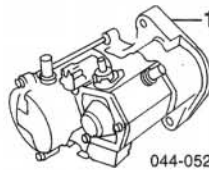


044-06079

1 Coil, Ignition (4)	90919-02239	m	#.3	82.73
#R&R Two or More .6				
2 Module, Engine Control				
2000	89661-17600	m	1.6	1197.71
2001				
To 5-01				
w/Sequential Shift Trans	89661-17630	m	1.6	1072.11

w/o Sequential Shift Trans	89661-17602	m	1.6	1197.71
From 5-01				
w/Sequential Shift Trans	89661-17670	m	1.6	1075.02
w/o Sequential Shift Trans	89661-17660	m	1.6	1197.71
2002				
w/Sequential Shift Trans	89661-17670	m	1.6	1075.02
w/o Sequential Shift Trans	89661-17660	m	1.6	1197.71

**STARTER**



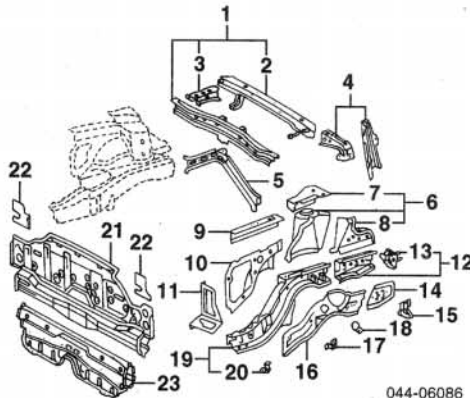
044-05215

1 Starter	28100-22060-84	m	.9	R229.76
-----------	----------------	---	----	---------

**REAR BODY**

Use Procedure Explanations 26 and 28 with the following text.

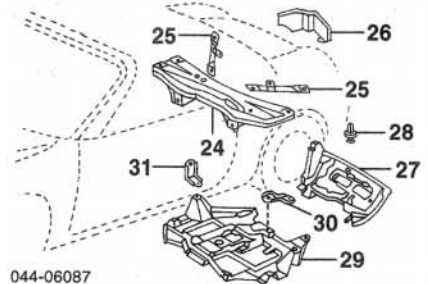
Refinish Upper Xmbr Assy	.....	.5
Refinish Upper Xmbr Extension	R/L	.5
Refinish Lower Xmbr	.....	.5
Refinish Rear Wheelhouse Assy	R/L	1.0
Refinish Wheelhouse Extension	R/L	.5
Refinish Sidemember Assy	R/L	1.0
Refinish Sidemember Extension	R/L	.5



044-06086

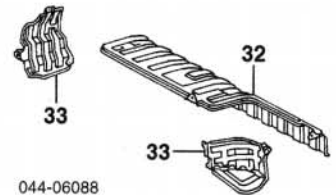
1 Xmbr Assy, Upper	51209-17900	s	1.5	199.23
2 Xmbr, Upper	58307-17080	s	1.5	108.20
3 Connector, Xmbr	R 58377-17030	s	.5	20.12
	L 58378-17040	s	.5	19.78
#Included w/Upper Crossmember Assy				
4 Extension, Upper Xmbr	R 58303-17090	s	.5	53.96
	L 58304-17030	s	.5	44.81
	51281-17901	s	#1.5	99.30
#Deduct .5 w/Upper Xmbr Removed				
6 Wheelhouse Assy, Rear	R 61671-17903	s	4.5	121.81
	L 61672-17901	s	4.5	121.81
7 Brace, Upper	R 61643-17030	s	.5	30.24
	L 61644-17030	s	.5	30.24
8 Extension, Wheelhouse	R 61617-17030	s	1.5	24.38
	L 61618-17902	s	1.5	29.41
#Included w/Rear Wheelhouse Assy				
9 Reinf, Wheelhouse	R 61647-17901	s	2.0	39.13
	L 61648-17901	s	2.0	39.13
10 Wheelhouse, Front	R 61633-17904	s	2.5	67.51
	L 61634-17030	s	2.5	55.56
11 Deflector, Air Inlet	R 62613-17010			28.32
	L 62604-17010			22.49
12 Extension Assy, Sidemember	R 57615-17901	s	3.5	49.21
	L 57616-17900	s	3.5	49.21
13 Bracket, Rear Bumper	R/L 58305-17011			28.58
#Included w/Sidemember Extension Assy				
14 Plate, Extension	R 57623-17020	s		27.38
	L 57624-17020	s		27.38
15 Hanger, Muffler	L 51902-17010	s		21.69
16 Plate, Outer Sidemember	R 57628-17050	s		98.46
	L 57629-17050	s		103.17
17 Bracket, Liner	R/L 58139-17010			3.12
18 Bracket, Brake Hose	R/L 57249-33010			9.20
19 Sidemember Assy	R 57601-17080	s	#7.5	292.11
	L 57602-17100	s	#7.5	312.00
#w/Rear Wheelhouse Assy Removed Deduct 2.5, w/Front Wheelhouse Removed Deduct 1.5				
20 Bracket, Quarter Panel	R/L 58139-17010			3.12
#Included w/Sidemember Assy				
21 Panel, Room Partition	64206-17110			637.24
22 Insulator, Partition	R 64195-17040			6.83
	L 64196-17020			2.74

23 Xmbr, Rear Floor-See Rocker/Pillars/Floor Section



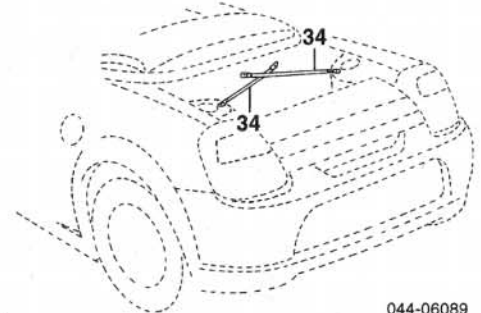
044-06087

24 Xmbr, Suspension	51206-17030	m	#2.3	538.53
#w/Necessary Bolted Parts & Assemblies Removed, Not Included in Q/H Rear Suspension				
25 Brace, Xmbr	R 53653-17010			17.32
	L 53654-17020			17.32
26 Shield, Transaxle	31369-17010			85.20
27 Shield, Rear Splash	51406-17010		.3	85.20
28 Clip, Retainer	90467-07164			1.29
29 Shield, Front Splash	51405-17020		.5	144.50
30 Bracket, Rear Shield	51446-17020			5.54
31 Bracket, Front Shield	R/L 51445-17020			4.92



044-06088

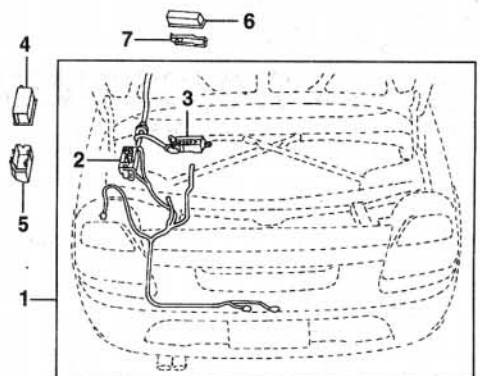
32 Shield, Center Heat	58329-17010			93.37
33 Shield, Side Heat	R 58327-17030			31.21
	L 58328-17020			31.21



044-06089

34 Brace, Strut Tower	R/L 53605-17030			83.31
-----------------------	-----------------	--	--	-------

**ELECTRICAL COMPONENTS**



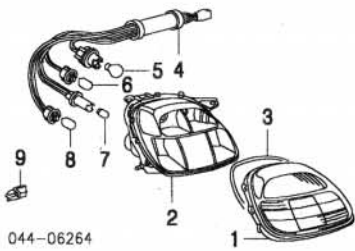
044-06090

1 Harness Assy, Engine Comp				
2000	82111-17720	m		913.29
2001-02				
w/Sequential Shift Trans	82111-17680	m		1038.35
w/o Sequential Shift Trans	82111-17720	m		913.29
2 Box, Fuse	82610-17010	m		100.34
3 Box, Relay	82741-17010	m		41.67
#Included w/Engine Compartment Harness Assy				
4 Cover, Upper Fuse Box	00 82611-17020		.1	22.84
	01-02 82611-17030		.1	22.78
5 Cover, Lower Fuse Box	82611-17010			30.01
6 Cover, Upper Relay Box	00 82662-17010		.1	13.80
	01-02 82662-17050		.1	13.83
7 Cover, Lower Relay Box	82663-33010			8.69

## REAR LAMPS

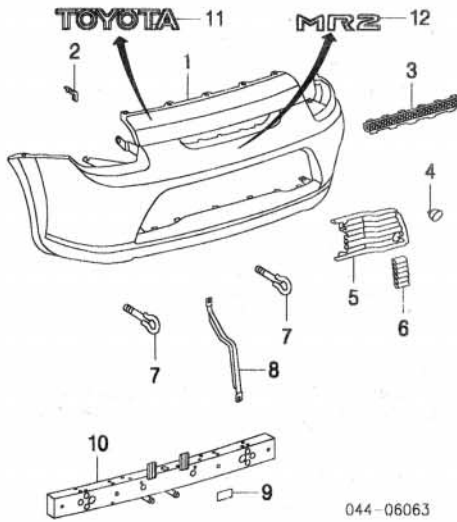
### COMBINATION LAMP

R&L Combination Lamp Assy ..... R/L # 3



044-06264

1 Lens, Combination Lamp	R 81551-17150	.4	34.48
	L 81561-17190	.4	34.48
2 Housing, Lamp	R 81553-17150		102.86
	L 81563-17190		102.86
3 Gasket	R/L 81554-17140		22.03
4 Harness, Lamp	R/L 81555-17150		27.06
5 Bulb, Turn Signal	R/L 90981-13043	#2	3.80
6 Bulb, Back-Up	R/L 90981-15009	#2	6.03
7 Bulb, Side Marker	R/L 90981-13043	#2	3.80
8 Bulb, Stop	R/L 90981-11048	#2	3.92
<i>#R&amp;R One Side Complete</i>			
9 Guide, Mounting	R/L 81496-17010	1.71	



044-06063

11 "TOYOTA"	75443-20610	.2	18.26
12 "MR2"	PT413-17000-01	.2	22.38

### LICENSE LAMP

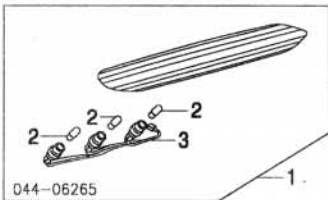
R&L Lamp Housing ..... R/L #2  
*#Included in R&R or O/H Rear Bumper*



044-06066

1 Housing, Lamp	R/L 81271-30240	#2	17.93
2 Bulb, Lamp	R/L 00234-00192	#2	1.00
<i>#R&amp;R One Side Complete, Included in R&amp;R or O/H Rear Bumper</i>			
3 Socket, Bulb	R/L 81275-17040		9.86

### HIGH MOUNT STOP LAMP



044-06265

1 Lamp Assy, Stop	81570-17050	#2	121.48
<i>#Included in R&amp;R Engine Lid</i>			
2 Bulb, Lamp (3)	00234-00192		1.00
3 Socket w/Wire	81576-17050		11.83
<i>#Included w/Stop Lamp Assy</i>			

## REAR BUMPER

*Use Procedure Explanations 27 and 28 with the following text.*

Refinish Bumper Cover .....	2.3
R&L Bumper Assy.....	#1.2
O/H Bumper Assy (Includes R&L).....	#2.0
<i>#Includes R&amp;L/R&amp;R Rear Combination Lamps</i>	

**NOTE:** All Parts in this section are included in overhaul unless noted otherwise.

*Illustration Located in Next Column*

1 Cover, Bumper (P)	52159-17910	#1.7	208.46
<i>(P) Paint to Match</i>			
<i>#Includes R&amp;L/R&amp;R Rear Combination Lamps</i>			
2 Support, Side	R/L 52115-17020		4.80
3 Grille, Upper	52561-17030	.1	26.61
4 Plug, Lower Grille	R 52161-17010		6.74
	L 52162-17010		6.74
5 Grille, Lower	R 52152-17020	.2	58.63
	L 52153-17020	.2	58.63
6 Extension, Lower Grille	R 52163-17010		13.35
	L 52164-17010		13.35
7 Hook, Tow	R/L 51093-17021	.1	24.58
8 Support, Bumper	R/L 52151-17010		22.12
9 Cover, Hole	R/L 55797-46010		1.69
10 Reinf, Bumper Nameplate (Adhesive)	52023-17080	IOH	125.66